

körting

**РУКОВОДСТВО
ПОЛЬЗОВАТЕЛЯ**

КУХОННАЯ ВЫТЯЖКА

КНА 7950 X Cube

-
- GB** **COOKER HOOD** - User instructions
- CZ** **ODSAVAČ PAR** – uživatelská příručka
- DK** **EMHÆTTE** - Brugervejledning
- FIN** **LIESITUULETIN** – Käyttöohje
- GR** **ΑΠΟΡΡΟΦΗΤΗΡΑΣ ΣΕ ΕΚΔΟΣΗ ΑΠΟΡΡΟΦΗΣΗΣ** – Εγχειρίδιο χρήσης
- H** **ELSZÍVÓ KÜRTŐ** – Használati utasítás
- N** **AVTREKKSAPPE** – Bruksanvisning
- PL** **OKAPY ZASYSAJĄCY** - instrukcja obsługi
- R** **HOTĂ ASPIRANTĂ** – Manual de utilizare
- RUS** **ВЫТЯЖНОЙ КОЛПАК** - Руководство пользователя
- S** **SPISKÅPA** – Bruksanvisning

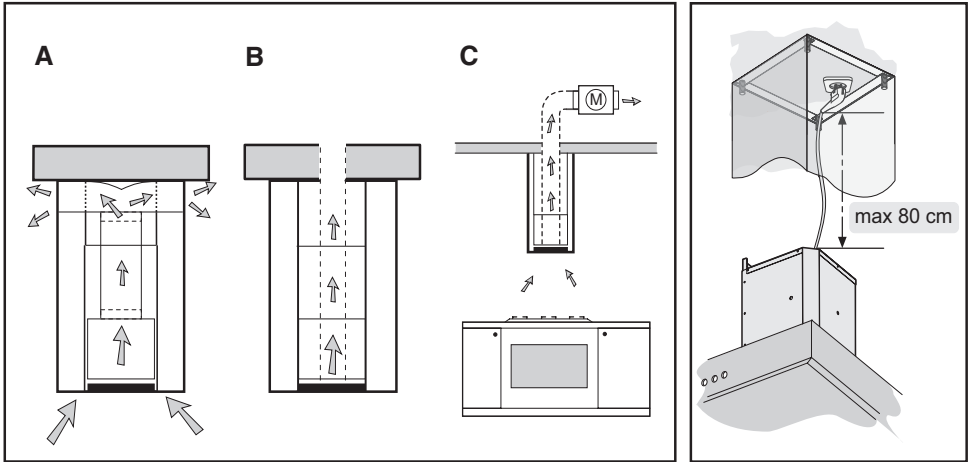


Fig.1

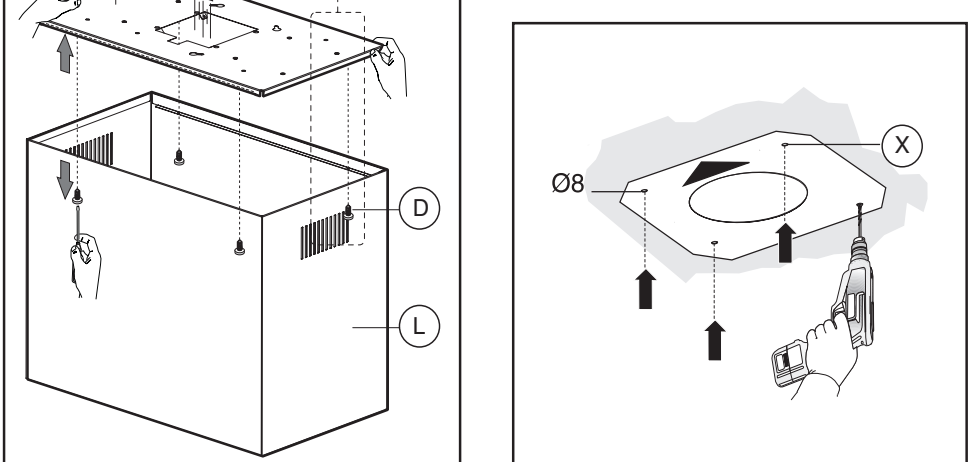
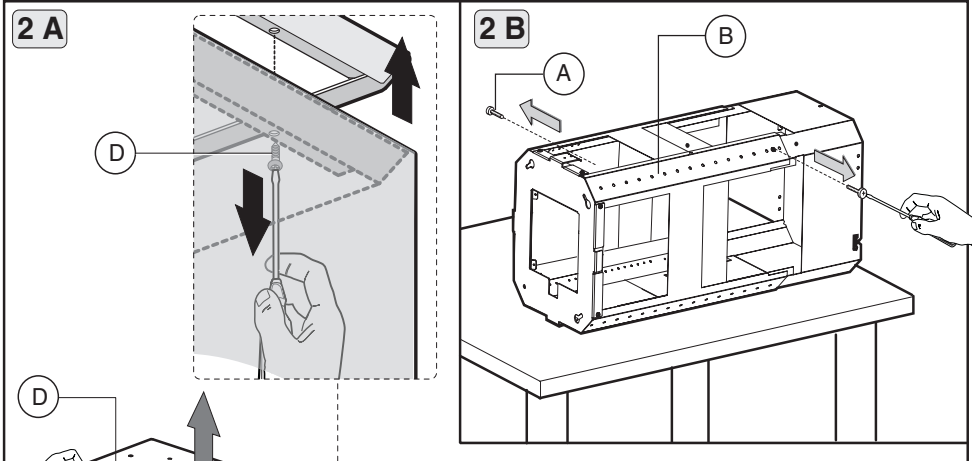
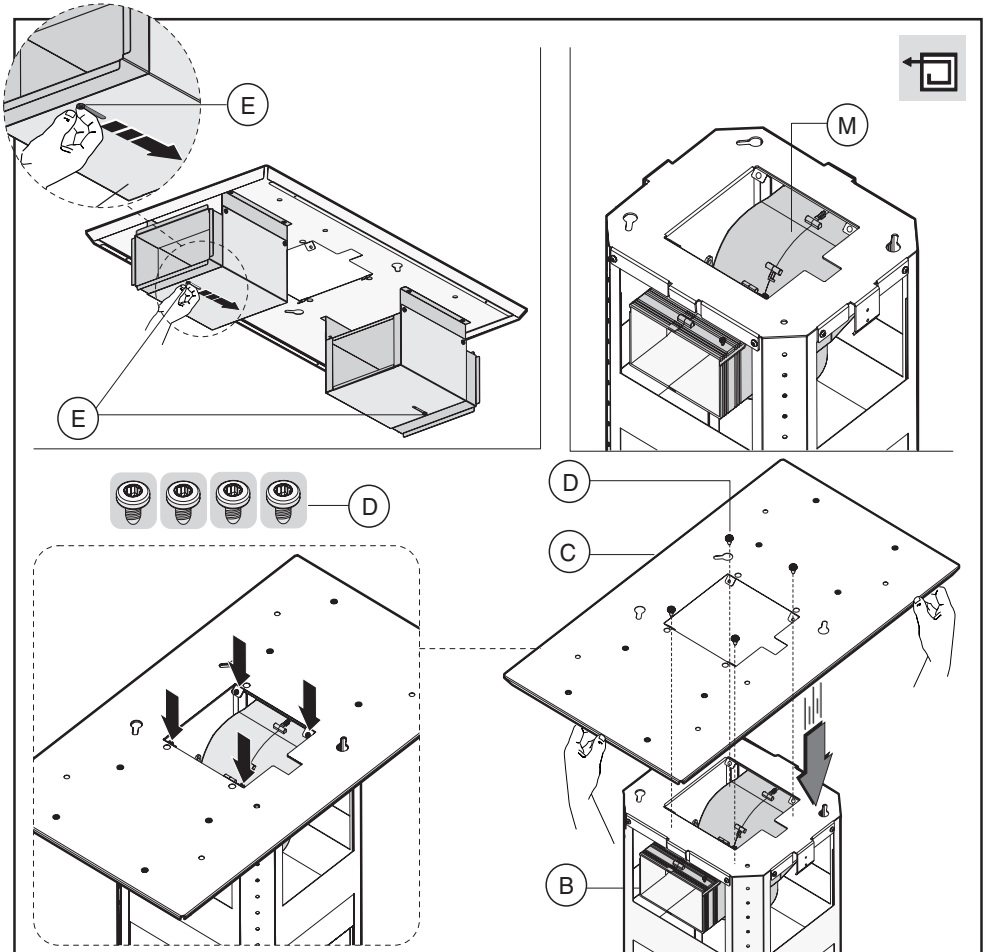
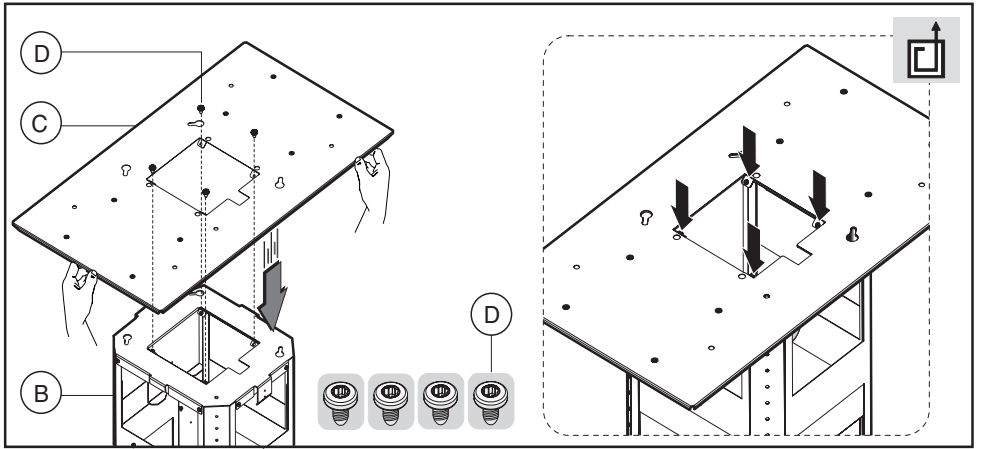


Fig.2

Fig.3



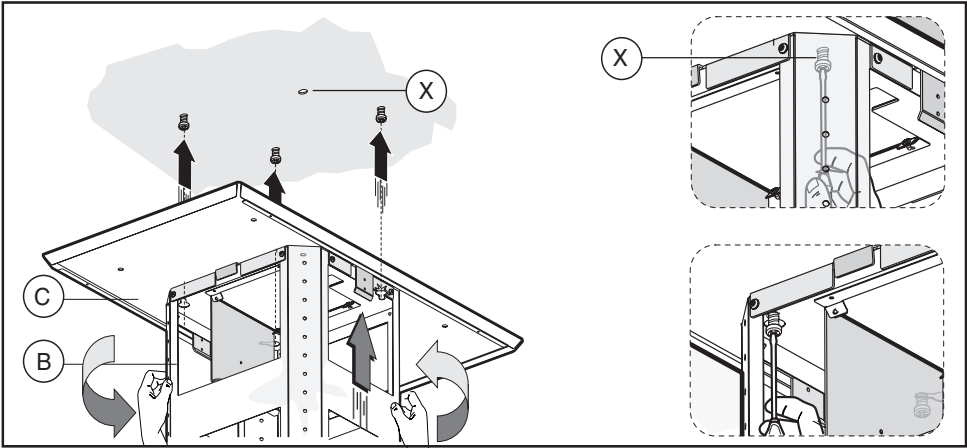


Fig.6

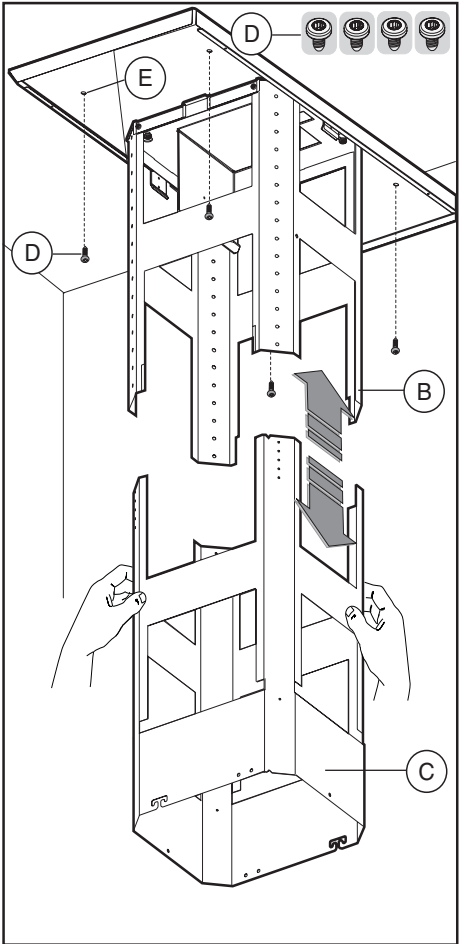


Fig.7

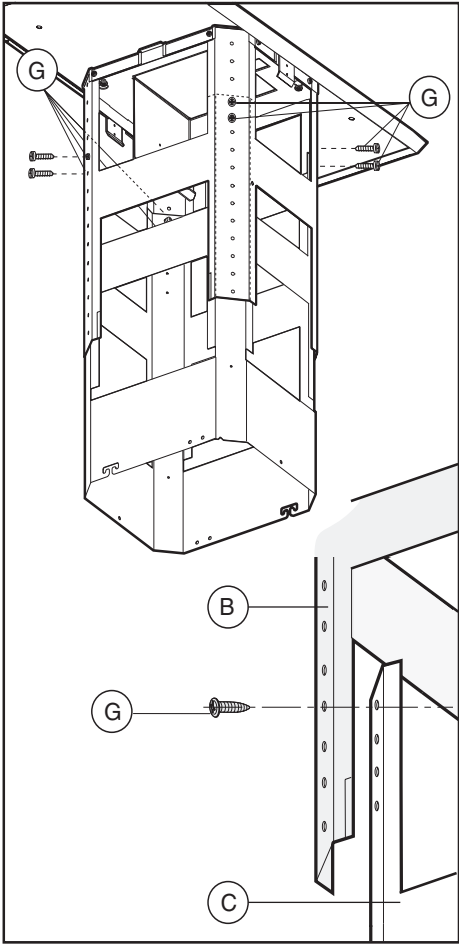


Fig.8

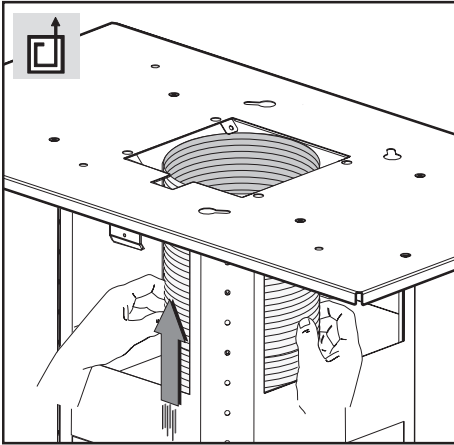


Fig.9

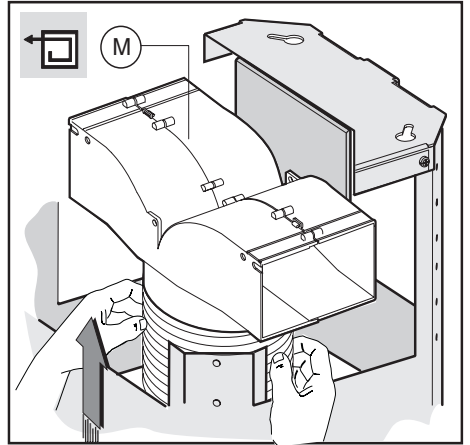


Fig.10

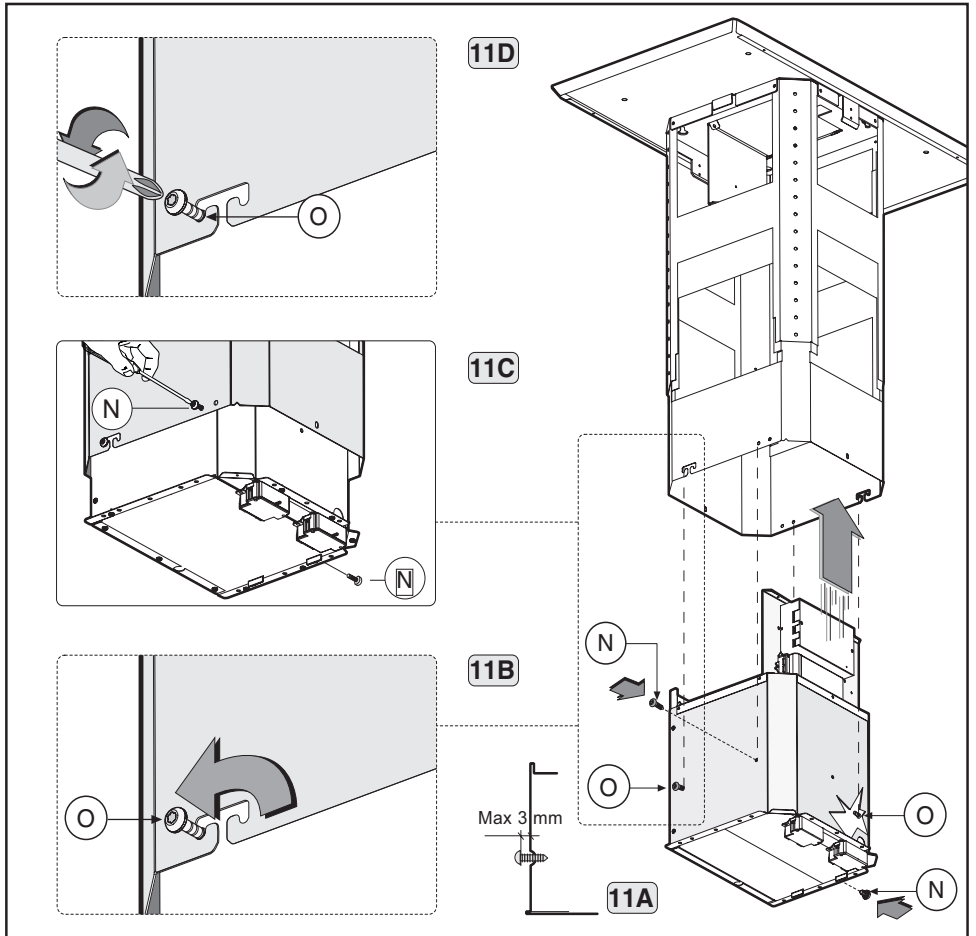


Fig.11

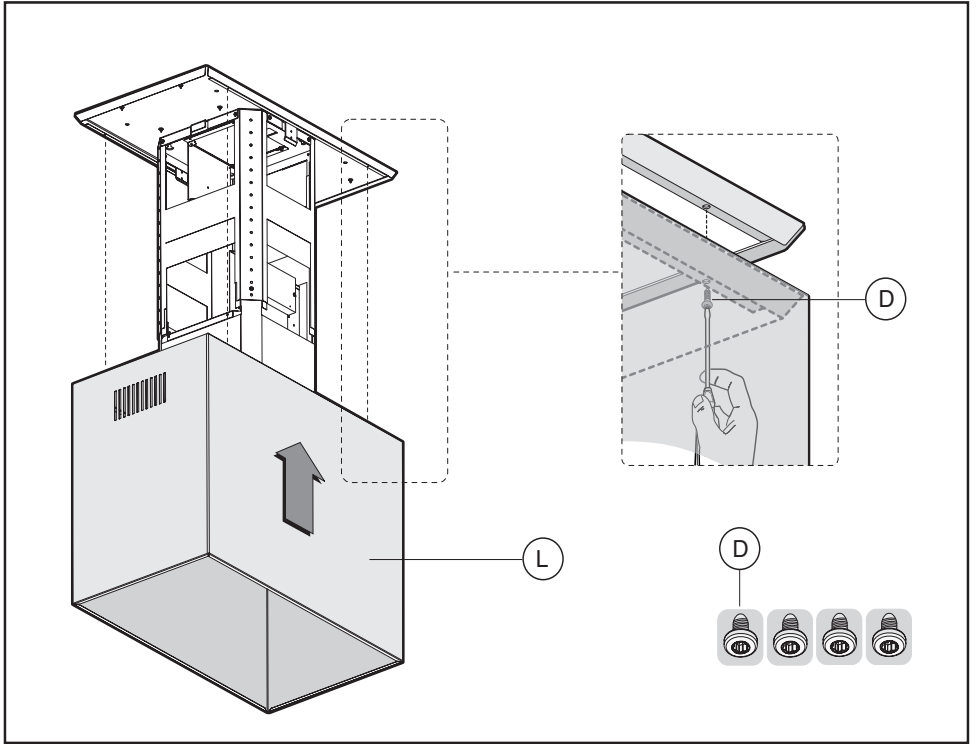


Fig.12

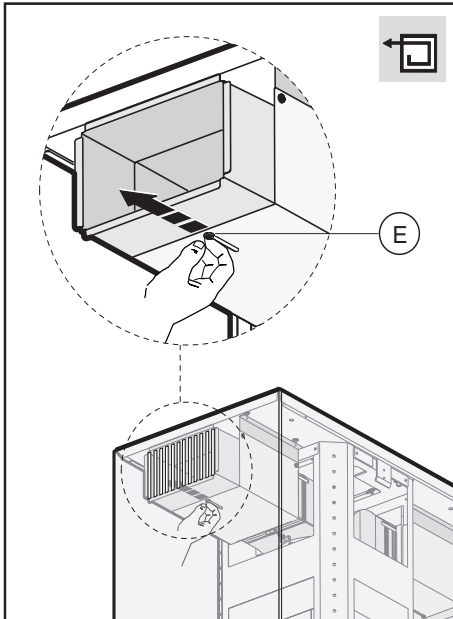
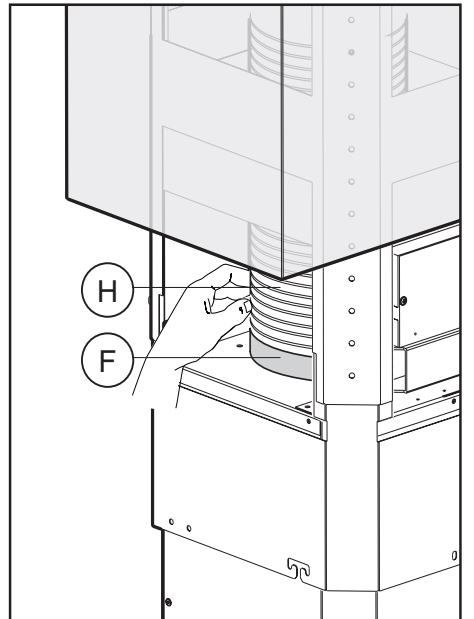


Fig.13



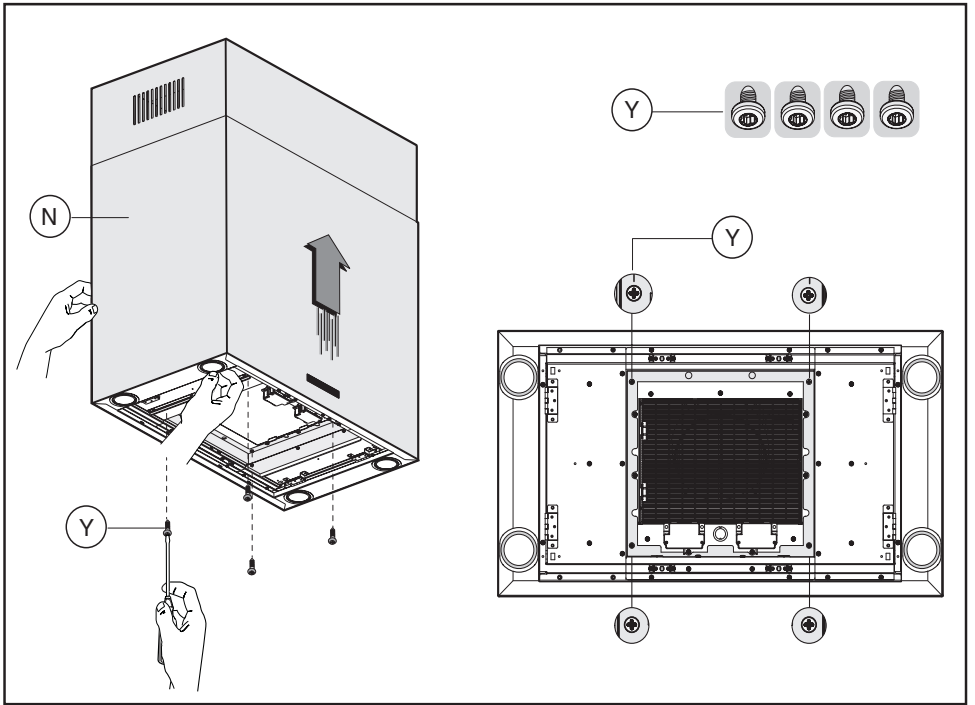


Fig.15

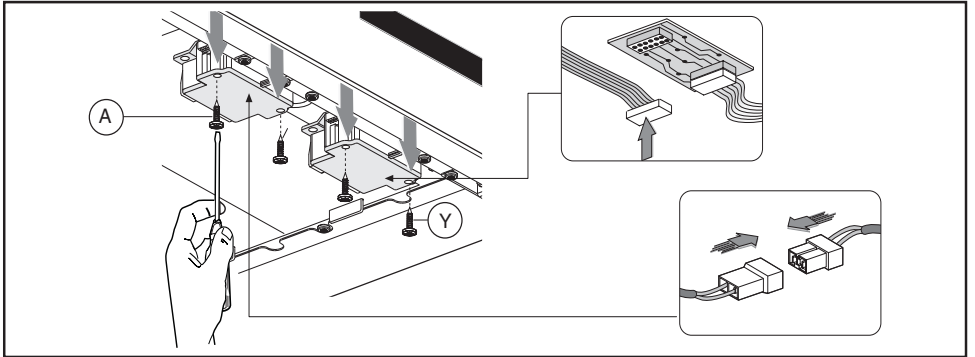


Fig.16

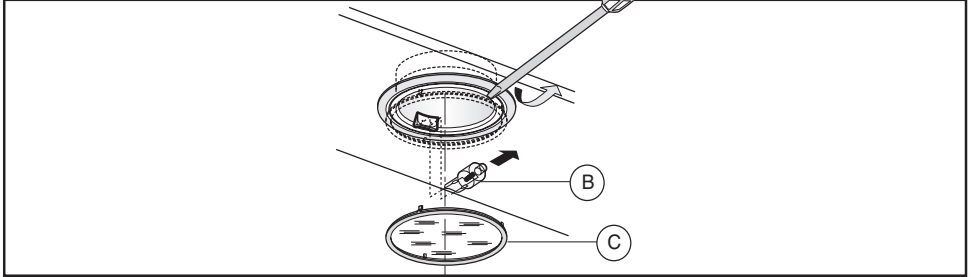


Fig.17

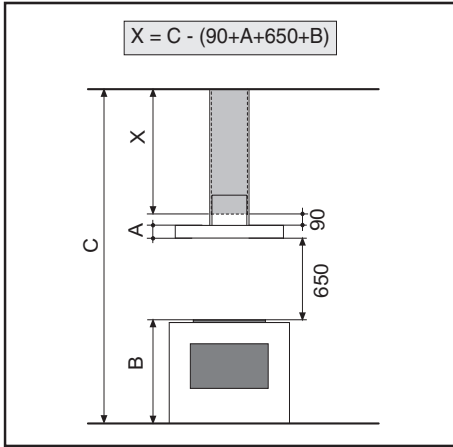


Fig.18

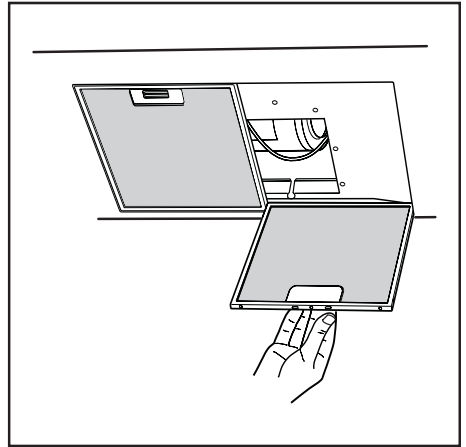


Fig.19

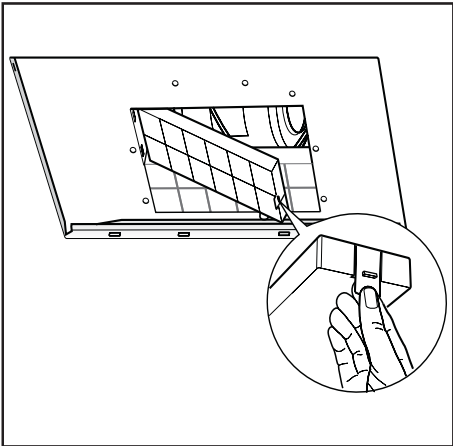


Fig.20

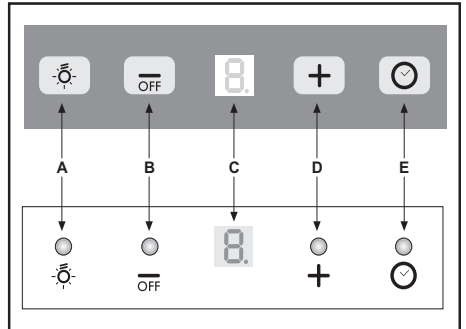


Fig.21

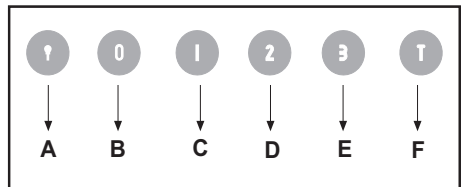


Fig.23

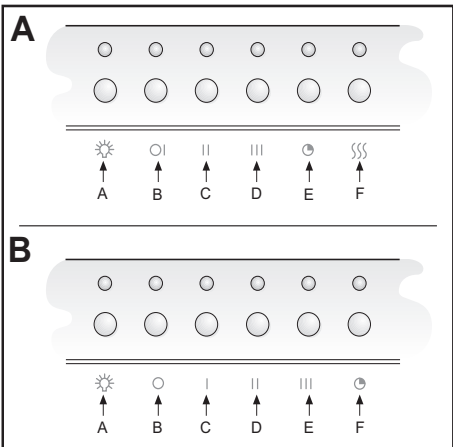


Fig.22

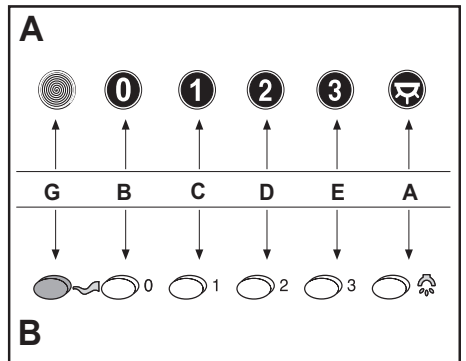


Fig.24

GENERAL

Carefully read the following important information regarding installation safety and maintenance. Keep this information booklet accessible for further consultations.

The appliance has been designed for use in the ducting version (air exhaust to the outside – Fig.1B), filtering version (air circulation on the inside – Fig.1A) or with external motor (Fig.1C).

SAFETY PRECAUTION

1. Take care when the cooker hood is operating simultaneously with an open fireplace or burner that depend on the air in the environment and are supplied by other than electrical energy, as the cooker hood removes the air from the environment which a burner or fireplace need for combustion. The negative pressure in the environment must not exceed 4Pa (4x10⁻⁵ bar). Provide adequate ventilation in the environment for a safe operation of the cooker hood.

Follow the local laws applicable for external air evacuation.

Before connecting the model to the electricity network:

- control the data plate (positioned inside the appliance) to ascertain that the voltage and power correspond to the network and the socket is suitable. If in doubt ask a qualified electrician.

- If the power supply cable is damaged, it must be replaced with another cable or a special assembly, which may be obtained direct from the manufacturer or from the Technical Assistance Centre.

2. WARNING !

In certain circumstances electrical appliances may be a danger hazard.

A) Do not check the status of the filters while the cooker hood is operating

B) Do not touch bulbs or adjacent areas, during or straight after prolonged use of the lighting installation.

C) Flambè cooking is prohibited underneath the cooker hood

D) Avoid free flame, as it is damaging for the filters and a fire hazard

E) Constantly check food frying to avoid that the overheated oil may become a fire hazard

F) Disconnect the electrical plug prior to any maintenance.


G) This appliance is not intended for use by young children or infirm persons without supervision

H) Young children should be supervised to ensure they do not play with the appliance

I) There shall be adequate ventilation of the room when the rangehood is used at the same time as appliances burning gas or other fuels

L) There is a risk of fire if cleaning is not carried out in accordance with the instructions

This appliance conforms to the European Directive EC/2002/96, Waste Electrical and Electronic Equipment (WEEE). By making sure that this appliance is disposed of in a suitable manner, the user is helping to prevent potential damage to the environment or to public health.

The  symbol on the product or on the accompanying paperwork indicates that the appliance should not be treated as domestic waste, but should be delivered to a suitable electric and electronic appliance recycling collection point. Follow local guidelines when disposing of waste. For more information on the treatment, re-use and recycling of this product, please contact your local authority, domestic waste collection service or the shop where the appliance was purchased.

INSTALLATION INSTRUCTIONS

Assembly and electrical connections must be carried out by specialised personnel.

• Electric Connection

The appliance has been manufactured as a class II, therefore no earth cable is necessary.

The connection to the mains is carried out as follows:

BROWN = L line

BLUE = N neutral

If not provided, connect a plug for the electrical load indicated on the description label. Where a plug is provided, the cooker hood must be installed in order that the plug is easily accessible.

An omnipolar switch with a minimum opening of 3mm between contacts, in line with the electrical load and local standards, must be placed between the appliance and the network in the case of direct connection to the electrical network.

• The minimum distance between the support surfaces of the cooking pots on the cooker top and the lowest part of the cooker hood must be at least 65 cm.

If a connection tube composed of two parts is used, the upper part must be placed outside the lower part.

Do not connect the cooker hood exhaust to the same conductor used to circulate hot air or for evacuating fumes from other appliances generated by other than an electrical source.

Before proceeding with the assembly operations, remove the anti-grease filter(s) (Fig.19) so that the unit is easier to handle.

In the case of assembly of the appliance in the suction version prepare the hole for evacuation of the air.

• We recommend the use of an air exhaust pipe with a diameter of 150. If a pipe with a smaller diameter is used, the efficiency of the product may be reduced and its operation may become noisier

• Replacing halogen light bulbs (Fig. 17).

To replace the halogen light bulbs **B**, remove the glass pane **C** using a lever action on the relevant cracks.

Replace the bulbs with new ones of the same type.

Caution: do not touch the light bulb with bare hands.

Note!

- When installing this product we recommend you seek the help of another individual.

• **Hood assembly**

- Before installing the cooker hood, open the packaging, take out the upper duct **L** and remove the 4 screws **D** joining the upper duct to the duct fixing bracket **C** (Fig. 2A).

Remove the structure from the packaging and remove the 2 screws **A** to separate the upper part from the lower part (fig.2B).

- Position hole template on the ceiling paying attention that the arrow is positioned on the same side as the appliance controls (Fig.3).

Make 4, Ø8 holes in the ceiling and drive in 3 screws without completely tightening them. Pay attention not to insert the screw into the hole marked with an **X** on the hole template (the screws and expansion plugs must be suitable for the type of wall).

Extractor hood

- Join the duct fixing bracket **C** to the upper frame **B** using the four screws **D** (Fig. 4).

Filter hood

- Before joining the fixing bracket **C** to the upper frame **B**, shift the deflector **E** inwards using the corresponding slots (Fig. 5).

- In the Filter version, the air diverter is fitted to the upper frame.

- Join the duct fixing bracket **C** to the upper frame **B** using the four screws **D** (Fig. 5).

- Take the upper part of the structure **B** (fig.6) and insert the 3 slots onto the 3 screws that are not completely tightened.

Rotate slightly to fit (fig.6) .

Drive in the fourth screw **X** and tighten the remaining 3 to allow definitive blocking of the upper part of structure **B**.

We recommend the duct fixing bracket **C** is securely fixed in place by tightening another 4 screws **D** into the safety holes (Fig. 7).

- Take the lower part of the telescopic structure **C** and insert it into the upper structure **B** (fig.7).

Adjust the height by referring to the amounts indicated in (fig.18) and block it using the 8 screws **G** that are supplied (fig.8).

- **Suction version:** fix the flexible pipe to the prepared air evacuation hole (fig. 9).

- **Filter hood:** connect the flexible hose to the deflector **M** as indicated in (Fig. 10); the active carbon filters should be fitted to the extraction assembly inside the hood (Fig. 20).

- Unscrew the 2 screws **O**, max 3 mm (Fig.11A).

Introduce the extraction assembly into the frame, ensuring that the screws **O** (loosened previously) hook into the slots as indicated in (Fig. 11 B).

Drive in the 2 screws **N** (supplied) and tighten the 2 screws **O** (Fig.11C-D).

- Take the upper duct **L** and fit it to the duct fixing bracket **C** using the 4 screws **D** (Fig. 12).

- For the **filter version**, once the duct is fixed to the frame the RHS and LHS deflectors **E** should be moved

outwards, using the corresponding slots (Fig. 13) so that they are aligned with the air outlet screen of the hose.

- Fix the air evacuation pipe **H** (not supplied) onto the connection flange **F** (Fig.14)

- Take the locking device **N** and join it to the upper duct, then fix it in place using the 4 screws **Y** (Fig. 15).

- **Electrical connection**

Before connecting the appliance to the electricity supply, remove the 4 screws **A**, open the covers and perform the necessary electrical connections between the body of the cooker hood and the motor assembly (Fig. 16).

USE AND MAINTENANCE

• We recommend that the cooker hood is switched on before any food is cooked. We also recommend that the appliance is left running for 15 minutes after the food is cooked, in order to thoroughly eliminate all contaminated air.

The effective performance of the cooker hood depends on constant maintenance; the anti-grease filter and the active carbon filter both require special attention.

• The anti-grease filter is used to trap any grease particles suspended in the air, therefore is subject to saturation (the time it takes for the filter to become saturated depends on the way in which the appliance is used).

The acrylic filter, which is found resting on the grille, should be replaced when the text, visible through the grille, changes colour and the ink spreads; the new filter should be fitted in such a way that the text can be seen through the grille from outside the cooker hood.

If the filters do not have any text on them, or if metal filters or aluminium panel filters are used, they should be washed every 2 months in order to prevent the risk of fire. To wash the filters, proceed as follows:

- Remove the filter from the grille and wash it using a solution of water and neutral liquid detergent, leaving the dirt to soften.

- Rinse thoroughly with warm water and leave to dry.

The metal filters and/or aluminium panel are also dishwasher safe. If the filters are made using aluminium, or if an aluminium panel is used, after a few washes the colour may change. This does not mean they have to be replaced.

If the replacement and washing instructions are not followed, the anti-grease filters may present a fire hazard.

• The active carbon filters are used to purify the air which is released back into the room. The filters are not washable or re-usable and must be replaced at least once every four months. The active carbon filter saturation level depends on the frequency with which the appliance is used, the type of cooking performed and the regularity with which the anti-grease filters are cleaned.

• Remove build-up from the fan and other surfaces of the cooker hood regularly using a cloth moistened with denatured alcohol or non-abrasive neutral liquid detergent.

• The light on the cooker hood is designed for use during cooking and not for general room illumination. Extended use of the light reduces the average duration of the bulb.

COMMANDS: (Fig.21)

Push-button A = on/off lights switch

Push-button B = on/off cooker hood switch. The appli-

ance switches on at speed level 1, If the cooker hood is on depress the push-button for 2 sec. to switch off the cooker hood. If the cooker hood is at speed level 1 it will not be necessary to depress the push-button to switch the cooker hood off. Decreases the motor speed.

Display C = indicates the motor speed level selected and activates the timer.

Push-button D = switches on the cooker hood. Increases the motor speed. Touching the key at 3rd speed, the intensive function runs for 10', then the appliance go back to work at the original speed. During this function the display blinks.

Key E = The Timer times the functions on activation for 15 minutes, after which they are switched off. The Timer is deactivated by re-pressing **Key E**. When the Timer is activated the decimal point must flash on the display. The Timer cannot be activated if the intensive speed is functioning.

The "clean air" function is activated by pressing key **E** for 2 seconds when the appliance is switched off. This switches the motor on for 10 minutes every hour at the first speed. During functioning a rotary movement of the peripheral segments must be visualised on the display. When this time has passed the motor switches off and the fixed letter "C" must be visualised on the display until the motor re-starts after 50 minutes for another 10 minutes and so on. Press any key apart from the light keys to return to normal functioning. Press key **E** to deactivate the function.

• **Active carbon/grease filter saturation:**

- When display item **C** flashes, at a speed where it alternates with the letter **F** (e.g. 1 and **F**), the **grease** filters must be washed.

- When display item **C** flashes, at a speed where it alternates with the letter **A** (e.g. 1 and **A**), the **carbon** filters must be replaced.

After the clean filter has been positioned correctly, the electronic memory must be reset by pressing button **A** for approximately **5 seconds**, until the indication **F** or **A** shown on the display **C** stops flashing.

• **COMMANDS: ELECTRONIC** (Fig.22A):

A = LIGHT

B = OFF/SPEED I

C = SPEED II

D = SPEED III

E = AUTOMATIC STOP TIMER – 15 minutes (*)

F = FILTER SATURATION RESET LIGHT

When the "filter saturation" light flashes, the anti-grease filters must be washed. When the light comes on without flashing, the anti-grease filters must be washed and the carbon filters replaced (in case of operation whit the recycling version). When this operation has been completed, press the key to reset it.

• **COMMANDS:**

(Fig.23) **LUMINOUS** - (Fig.22B) **ELECTRONIC** the key symbols are explained below:

A = LIGHT

B = OFF

C = SPEED I

D = SPEED II

E = SPEED III

F = AUTOMATIC STOP TIMER - 15 minutes (*)

• If your appliance does not have the **INTENSIVE** speed function, press key **E** for two seconds and it will be activated for 10 minutes after which it will return to the previously set speed. When the function is active the LED flashes. To interrupt it before the 10 minutes have expired press key **E** again.

• By pressing key **F** for two seconds (with the hood switched off) the "clean air" function is activated. This function switches the appliance on for ten minutes every hour at the first speed. As soon as this function is activated the motor starts up at the first speed for ten minutes, During this time key **F** and key **C** must flash at the same time.

After ten minutes the motor switches off and the LED of key **F** remains switched on with a fixed light until the motor starts up again at the first speed after fifty minutes and keys **F** and **C** start to flash again for ten minutes and so on.

By pressing any key for the exclusion of the hood light the hood will return immediately to its normal functioning (e.g. if key **D** is pressed the "clean air" function is deactivated and the motor moves to the 2nd speed straight away. By pressing key **B** the function is deactivated).

(*) The "automatic stop timer" delays stopping of the hood, which will continue functioning for 15 minutes at the operating speed set at the time this function is activated.

• **Active carbon/grease filter saturation:**

- When button **A** flashes at a frequency of **2 seconds**, the **grease** filters must be cleaned.

- When button **A** flashes at a frequency of **0.5 seconds**, the **carbon** filters must be replaced.

After the clean filter has been replaced, the electronic memory must be reset by pressing button **A** for approximately **5 seconds**, until the light on the button stops flashing.

• **COMMANDS:**(Fig.24A)MECHANICAL_(Fig.24B) Elliptic the key symbols are explained below:

A = LIGHT

B = OFF

C = SPEED I

D = SPEED II

E = SPEED III

G = MOTOR WORKING indicator

THE MANUFACTURER DECLINES ALL RESPONSIBILITY FOR EVENTUAL DAMAGES CAUSED BY BREACHING THE ABOVE WARNINGS.

ÚVOD

Přečtěte si pozorně obsah návodu, protože poskytuje důležité informace týkající se bezpečné instalace, používání i údržby zařízení. Uchovejte si návod pro jakoukoliv budoucí potřebu. Přístroj je určen k odsávání (odvádění vzduchu ven – obr.1B), filtrování (recyklace vzduchu v místnosti – obr.1A) nebo k použití s externě umístěným motorem (obr.1C).

BEZPECNOSTNÍ OPATŘENÍ

1. Vyžaduje se opatrnost, jestliže jsou současně v činnosti odsávač par a jiný hořák nebo tepelné zařízení závislé na vzduchu místnosti a napájené jinou energií než elektrickou, protože odsávač par spotřebovává vzduch z okolí, který hořák nebo jiné tepelné zařízení potřebují ke spalování. Negativní tlak nesmí překročit 4Pa (4×10^{-5} bar). K bezpečnému provozu je tedy nutná odpovídající ventilace místnosti. Při odvádění vzduchu do vnějšího prostředí je nutné se řídit platnými předpisy Vaší země.

Před napojením modelu na elektrickou síť:

- Zkontrolujte tabulku s údaji umístěnou uvnitř přístroje a ověřte si, že napětí a výkon odpovídají místní síti a rovněž zásuvka je vhodná. V případě jakékoliv pochyby se poraďte s kvalifikovaným elektrikářem.
- Je-li napájecí kabel poškozen, musí být nahrazen speciálním kabelem nebo sadou, které jsou k dispozici u výrobce nebo v jeho servisním středisku.

2. UPOZORNĚNÍ !

Za určitých okolností mohou být elektrické spotřebiče nebezpečné.

A) Neprovádějte kontrolu filtrů se zapnutým spotřebičem

B) Nedotýkejte se žárovek a prostoru kolem nich během užití nebo ihned po dlouhodobém užití osvětlovacího zařízení.

C) Nedotýkejte se žárovek, bylo-li zařízení déle v chodu

D) Je zakázáno upravovat pokrmy manipulí přímého ohně pod fungujícím odsávačem

E) Vyvarujte se volnému plameni, je škodlivý pro filtry a mohl by způsobit požár


F) Při smažení jídel zajistěte, aby se rozpálený olej nevznítil

G) Zařízení nebylo navrženo pro použití dětmi nebo nesvéprávními osobami bez dozoru.

H) Zkontrolujte, zda si děti nehrájí se zařízením.

I) Před provedením jakékoliv údržby vypněte přístroj z elektrické sítě.

Toto zařízení je označeno v souladu s Evropskou směrnicí 2002/96/ES, Waste Electrical and Electronic Equipment (WEEE). Tím, že se uživatel ujistí o správné likvidaci tohoto výrobku, přispívá k předcházení případným negativním následkům na životní prostředí a na zdraví.

Symbol  na výrobku nebo na přiložené dokumentaci poukazuje na to, že se s tímto výrobkem nesmí zacházet jako s běžným domovním odpadem, ale musí se odeslat do vhodné sběrně určené pro recyklaci elektrických a elektronických zařízení. Zařízení se musíte zbavit v souladu s místními předpisy pro likvidaci odpadu. Podrobnější informace o zacházení s tímto výrobkem, jeho opětovným použitím a recyklací můžete získat, když se obrátíte na příslušný místní úřad, sběrnou službu domovního odpadu nebo obchod, ve kterém jste výrobek zakoupili.

NÁVOD K INSTALACI

Operace spojené s montáží a elektrická napojení musí být provedeny pouze odborným personálem.

• Elektrické zapojení

Zařízení je vyrobeno v II. třídě, a proto žádný vodič nesmí být uzemněn.

Napojení k elektrické síti musí být provedeno následovně: HNĚDÁ = L vodič

MODRÁ = N neutrální vodič

Na přívodní kabel, pokud ji již neobsahuje, namontujte zástrčku normalizovanou pro příkon uvedený v technických charakteristikách výrobku.

V případě přímého zapojení na elektrickou síť je nezbytné přístroj připojit přes vícepólový spínač s minimální vzdáleností 3 mm mezi rozpojenými kontakty, dostatečně dimenzovaný a odpovídající platným normám.

- Minimální vzdálenost mezi opěrnou plochou varných nádob na varném zařízení a nejnižším bodem kuchyňského krytu musí být alespoň 65 cm.

Pokud by došlo k užití spojovací trubky složené ze dvou nebo více částí, horní část se musí nacházet vně části spodní. Nenapojujte vývod odsávače na potrubí, ve kterém proudí teplý vzduch nebo které je používáno k evakuaci kouře z přístrojů, jež jsou napájeny jinou energií než elektrickou. Před zahájením montáže odstraňte protitukový filtr (filtry), což vám umožní snadnější zacházení s přístrojem. (Obr.19).

V případě montáže přístroje ve verzi odsávače je třeba připravit otvor k evakuaci vzduchu.

- Doporučuje se použití kouřové trubky s průměrem 150. Použití redukce by mohlo negativně ovlivnit vlastnosti výrobku a zvýšit hlučnost

• Výměna halogenových žárovek (obr. 17).

Při výměně halogenových žárovek **B** sejměte skříčko **C** po jeho nadzvednutí v místě příslušných otvorů. Žárovky nahraďte novými žárovkami stejného druhu.

Upozornění: Nedotýkejte se žárovky holými rukama.

Poznámka!

- Při instalaci tohoto výrobku se doporučuje využít pomoci druhé osoby.

• Montáž krytu:

- Před provedením instalace odsavače otevřete obal, uchopte horní kouřovou trubku **L** a odšroubujte 4 šrouby **D**, které spojují horní kouřovou trubku s upevňovací konzolou kouřové trubky **C** (obr. 2A).

- Vyměňte celou strukturu z obalu a odstraňte dva šrouby **A** za účelem oddělení horní části od části spodní (Obr.2B).
- Umístěte vrchní část děrování na strop a dávejte pozor, aby se šipka nacházela na stejné straně, kde se nachází ovládací přístroj (Obr.3).

Vytvořte 4 otvory $\varnothing 8$ do stropu a zašroubujte 3 šrouby bez toho, abyste je zcela utáhli a dávejte pozor, abyste nezašroubovali šroub do otvoru označeného **X** na vrcholu děrování (šrouby a roztahovací špalíčky musí být vhodné pro typ stěny).

Odsávací verze

- Slícujte upevňovací konzolu kouřové trubky **C** s horní strukturou **B** prostřednictvím čtyř šroubů **D** (obr. 4).

Filtrační verze

- Před slícováním upevňovací konzoly **C** s horní strukturou **B** přesuňte směrem dovnitř vychylovač **E** prostřednictvím příslušných podélných otvorů (obr. 5).

- U filtrační verze je vychylovač vzduchu namontován na horní strukturu.

- Slícujte upevňovací konzolu kouřové trubky **C** s horní strukturou **B** prostřednictvím čtyř šroubů **D** (obr. 5).

- Uchopte horní část struktury **B** (Obr.6) a umístěte ji na 3 šrouby, jež nebyly zcela zašroubovány v souladu s třemi otvory.

Proveďte malou rotaci za účelem začlenění. (Obr.6)

Zašroubujte čtvrtý šroub **X** a dotáhněte ostatní tři šrouby, čímž umožníte definitivní upevnění horní části struktury **B**.

Doporučujeme vám upevnit upevňovací konzolu kouřové trubky **C** prostřednictvím dalších 4 šroubů **D** k příslušným bezpečnostním otvorům (obr. 7)

- Uchopte spodní část teleskopické struktury **C** a začleňte ji do vrchní struktury **B** (obr.7).

Nastavte požadovanou výšku s ohledem na vzdálenosti určené na Obr.18 a zablokujte ji pomocí 8 šroubů **G** v dotaci.(Obr.8).

- **Verze odsávací:** upevněte ohebnou trubku k předem připravenému otvoru k evakuaci vzduchu (Obr. 9).

- **Filtrační verze:** Připojte hadici k vychylovači **M** způsobem vyznačeným na (obr. 10); filtry s aktivním uhlím musí být aplikovány k odsávací jednotce, umístěné uvnitř odsavače (obr. 19).

- Odšroubujte o max 3 mm 2 šrouby **O** (Obr. 11A).

Vložte odsávací jednotku dovnitř struktury a dbejte přitom, aby se předem odšroubované šrouby **O** zachytily podélnými otvory, jak je naznačeno na (obr. 11 B).

Zašroubujte 2 šrouby **N** (v dotaci) a dotáhněte 2 šrouby **O** (Obr.11C-D).

- Uchopte horní kouřovou trubku **L** a upevněte ji k upevňovací konzole kouřové trubky **C** prostřednictvím 4 šroubů **D** (obr. 12).

- U **filtrační verze** po upevnění kouřové trubky ke struktuře posuňte pravý a levý vychylovač **E** směrem ven tak, že jej dostanete do místa mřížky pro výstup vzduchu trubky prostřednictvím příslušných podélných otvorů (obr. 13).

- Připevňte trubku pro evakuaci vzduchu **H** (která není v dotaci) ke spojovací přírubě **F** (Obr.14)

- Uchopte blok **N** a slícujte jej s horní kouřovou trubkou;

definitivně upevněte 4 šrouby **Y** (obr. 15).

- Elektrické zapojení

Před realizací zapojení odšroubujte 4 šrouby **A**, otevřete krytky a proveďte elektrické přepojení tělesa odsavače k jednotce motoru (obr. 16).

POUŽITÍ A ÚDRŽBA

• Doporučujeme uvést zařízení do činnosti ještě před zahájením přípravy jakéhokoliv jídla. Doporučujeme ponechat zařízení v činnosti také na dobu 15 minut po ukončení přípravy jídla, aby byl zcela odveden zapáchající vzduch.

Správná činnost odsavače je podmíněna správnou a nepřetržitou údržbou; zvláštní pozornost je třeba věnovat protitukovému filtru a filtru s aktivním uhlím.

• Protitukový filtr má za úkol zachycovat mastné částice nacházející se ve vzduchu, proto je v průběhu proměnné doby vystaven ucívání; tato doba závisí na používání zařízení.

Akrylový filtr, který je uložen na mřížce, je třeba vyměnit, když dojde ke změně barvy nápisů viditelných přes mřížku a k expanzi použitého inkoustu; nový filtr musí být aplikován tak, aby byly nápisy viditelné přes mřížku z vnější části odsavače.

V případě, že akrylové filtry nejsou vybaveny nápisy, nebo v případě, že jsou přítomné kovové filtry nebo filtry s hliníkovým panelem, je třeba tyto filtry umýt podle následujících pokynů maximálně každé 2 měsíce:

- Vyměňte filtr z mřížky a umyjte jej roztokem vody a tekutého neutrálního čistícího prostředku a nechte odmočit špinu.

- Opláchněte jej dostatečným množstvím vlažné vody a nechte uschnout.

Kovové filtry a/nebo hliníkový panel se mohou umývat i v myčce nádobí. Po několika umytích může u hliníkových filtrů nebo panelů dojít ke změně barvy. Tato skutečnost neumožňuje podání reklamace za účelem jejich výměny. V případě nedodržení pokynů pro výměnu a mytí protitukových filtrů se může vyskytnout riziko jejich zapálení.

• Filtry s aktivním uhlím slouží k čištění vzduchu, který se znovu vhná do okolního prostředí. Filtry se nesmí mýt ani regenerovat a musí se měnit maximálně každé čtyři měsíce. Nasycený aktivní uhlí závisí na krátkodobém nebo déletrvajícím používání zařízení, na druhu sporáku a pravidelnosti, se kterou se provádí vyčištění protitukového filtru.

• Pravidelné vyčištění všechny nánosy na ventilátoru a na dalších plochách s použitím navlhčeného hadru a denaturovaného líhu nebo tekutých neutrálních neabrazivních čistících prostředků.

• Osvětlení je navrženo pro použití během vaření a ne pro dlouhodobější použití za účelem osvětlení okolního prostředí. Dlouhodobější použití osvětlení výrazně snižuje průměrnou životnost žárovek.

OVLÁDÁNÍ (Obr. 21):

Tlačítko A – rozsvítí/zhasne světla

Tlačítko B – zapne/vypne odsavač. Přístroj je uveden do chodu při první rychlosti. Je-li odsavač zapnutý, vypněte jej stisknutím tlačítka na 2 sek. Pokud se odsavač nachází ve fázi první rychlosti, není nezbytné dlouze stisknout tlačítko za účelem vypnutí. Snižuje se rychlost

motoru.

Displej C – ukazuje zvolenou rychlost motoru a uvedení do chodu časového spínače

Tlačítko D – zapne odsávač. Zvyšuje rychlost motoru. Stiskne-li se tlačítko od třetí rychlosti, je nastavena intenzivní funkce na 10 vteřin, pak se přístroj vrátí do fáze pracovní rychlosti v okamžiku uvedení do chodu. Během této funkce displej bliká.

Tlačítko E = Časovač slouží k časovému ovládní funkci v průběhu 15 minut po jeho aktivaci; po uplynutí uvedené doby se tyto funkce vypnou. Vypnutí časovače se provádí stisknutím tlačítka **E**. Aktivace funkce časovače musí být signalizována blikáním desetinné tečky na displeji. Je-li aktivována intenzivní rychlost, aktivace časovače není možná.

Stisknutím tlačítka **E** na 2 sekundy při vypnutém zařízení se aktivuje funkce „**clean air**“. V rámci této funkce se motor zapne každou hodinu na 10 minut a během této doby se bude otáčet první rychlostí. Během jeho činnosti bude na displeji zobrazen rotační pohyb obvodových segmentů. Po uplynutí uvedené doby dojde k vypnutí motoru a na displeji musí být zobrazeno písmeno „**C**“, aniž by blikalo, dokud nebude po uplynutí dalších 50 minut motor znovu spuštěn na 10 minut, a tak dále.

• **Nasycení protitukových filtrů/filtrů s aktivním uhlím:**
- Když displej **C** bliká a střídavě zobrazuje provozní rychlost a písmeno **F** (např.1 a **F**), je třeba vyčistit **protitukové** filtry.

- Když displej **C** bliká a střídavě zobrazuje provozní rychlost a písmeno **A** (např.1 a **A**), je třeba vyměnit **uhlíkové** filtry.

Po vložení čistého filtru je třeba vynulovat elektronickou paměť stisknutím tlačítka **A** na dobu přibližně **5 sek.**, dokud signalizace **F** nebo **A** na displeji **C** nepřestane blikat.

OVLÁDÁNÍ: ELEKTRONIKA (Obr.22A)

Tlačítko A – OSVĚTLENÍ

Tlačítko B – VYPNUTÍ/PRVNÍ RYCHLOST

Tlačítko C – DRUHÁ RYCHLOST

Tlačítko D – TŘETÍ RYCHLOST

Tlačítko E – ČASOVÝ SPÍNAČ AUTOMATICKÉ VYPNUTÍ 15 minut (*)

Tlačítko F – RESET KONTROLKA SATURACE FILTRŮ

Pokud bliká kontrolka „SATURACE FILTRŮ“, je třeba vyčistit protiolejové filtry.

Pokud se kontrolka rozsvítí a neblíká, je třeba vyčistit protiolejové filtry a vyměnit uhlíkové filtry (v případě funkce ve verzi recirkulace). Po dokončení této operace je třeba stisknout tlačítko za účelem resetování.

OVLÁDÁNÍ:

(Obr.23) SVĚTELNÉ - (Obr.22B) ELEKTRONIKA

následuje přehled symbolů:

Tlačítko A – OSVĚTLENÍ

Tlačítko B – VYPNUTÍ

Tlačítko C – PRVNÍ RYCHLOST

Tlačítko D – DRUHÁ RYCHLOST

Tlačítko E – TŘETÍ RYCHLOST

Tlačítko F – ČASOVÝ SPÍNAČ AUTOMATICKÉ VYPNUTÍ 15 minut (*)

Pokud je váš přístroj vybaven funkcí **INTENZIVNÍ** rychlost, je třeba stisknout po dobu alespoň 2 s tlačítko **E** a rychlost bude aktivována po deset minut a poté se vrátí do rychlosti, jež byla předem nastavena.

Pokud je funkce aktivní, led bliká. Chcete –li ji přerušit před vypršením 10 minut, stiskněte znovu klávesu **E**.

Po stisknutí tlačítka **F** po dobu **2 s** (kryt je vypnut) bude aktivována funkce „**clean air**“. Tato funkce zapne motor na deset minut každou hodinu na první rychlost. Jakmile bude tato funkce aktivována, motor bude uveden do chodu na první rychlost po dobu 10 s, během které budou blikat současně tlačítka **F** a **C**. Po uplynutí této doby se motor vypne a led tlačítka **F** zustane osvětlen až do doby, kdy po 50 minutách bude znovu motor uveden do chodu na první rychlost a led **F** a **C** znovu začnou blikat po 10 minut a tak dále. Po stisknutí jakéhokoliv tlačítka s výjimkou světel se kryt okamžitě vrátí do svého normálního fungování. (napr. pokud se stiskne tlačítko **D**, deaktivuje se funkce „**clean air**“ a motor začne pracovat na druhou rychlost, stisknutím tlačítka **B** se tato funkce deaktivuje.

(*) Funkce „**ČASOVÝ SPÍNAČ AUTOMATICKÉ VYPNUTÍ**“ opoždjuje vypnutí odsávače, který bude pokračovat ve funkci pracovní rychlostí, která byla nastavena v okamžiku zapnutí této funkce, 15 minut.

• **Nasycení protitukových filtrů/filtrů s aktivním uhlím:**
- Blikání tlačítka **A** frekvencí **2 sek.** poukazuje na potřebu umytí **protitukových** filtrů.

- Blikání tlačítka **A** frekvencí **0,5 sek.** poukazuje na potřebu výměny **uhlíkových** filtrů.

Po vložení čistého filtru je třeba vynulovat elektronickou paměť stisknutím tlačítka **A** na dobu přibližně **5 sek.**, dokud tlačítko nepřestane blikat.

OVLÁDÁNÍ: Mechanické (Obr.24A)_Elipsa (obr.24B)

Tlačítko A – OSVĚTLENÍ

Tlačítko B – VYPNUTÍ

Tlačítko C – PRVNÍ RYCHLOST

Tlačítko D – DRUHÁ RYCHLOST

Tlačítko E – TŘETÍ RYCHLOST

Tlačítko G - Wskažník

VÝROBCE ODMÍTÁ JAKOUKOLIV ZODPOVĚDNOST ZA ŠKODY ZPŮSOBENÉ NEDODRŽENÍM UVEDENÝCH UPOZORNĚNÍ.

GENERELLE OPLYSNINGER

Læs omhyggeligt indholdet af denne brugsanvisning, da den giver vigtige oplysninger vedrørende sikkerheden ved installering, brug og vedligeholdelse. Opbevar brugsanvisningen til senere brug. Apparatet er udarbejdet til at kunne fungere; udsugende (udledning af luft til eksterne omgivelser Fig.1B) filtrerende (intern cirkulation af luft Fig.1A) og med udvendig motor. (Fig.1C).

OPLYSNINGER VEDRØRENDE SIKKERHED

1. Udvis forsigtighed hvis der samtidigt med emhætten er en varmekilde eller flamme i funktion, som er afhængig af luften i omgivelserne og forsynet med energi, der ikke er elektrisk, eftersom emhætten fjerner den luft fra omgivelserne, som flammen eller varmekilden har brug for til forbrænding. Det negative tryk i lokalet må ikke overstige 4 Pa (4x10⁻⁵ bar). For størst mulig sikkerhed, sørg for en passende ventilation af rummet. Hvad angår udsugningen til eksterne omgivelser følg de gældende normer.

Før modellen tilsluttes el-nettet:

- Kontrollér informationsetiketten (placeret indeni apparatet), for at sikre, at spændingen og styrken er i overensstemmelse med el-nettet og at stikkontakterne er egnede. Hvis De er i tvivl, konsulter en kvalificeret elektriker.

- Hvis forsyningsledningen er beskadiget, skal den udskiftes med en ledning eller en særlig samling fra fabrikanten eller et autoriseret servicecenter.

2. ADVARSEL!

I bestemte situationer kan elektriske hvidevarer være farlige.

A) Forsøg ikke at kontrollere filtrene mens emhætten er tændt.

B) Rør ikke ved pærer eller områderne omkring dem i forbindelse med længere brug af belysningsanlægget eller straks herefter.

C) Rør ikke ved lamperne efter længerevarende brug af apparatet.

D) Det er forbudt at flambere under emhætten.

E) Undgå åben flamme da det er skadeligt for filtrene og kan forårsage brand.

F) Hold friturestegning under konstant overvågning for at undgå, at olien overophedes og bryder i brand.


G) Apparatet må aldrig bruges af børn eller af personer, der ikke har de mentale eller fysiske egenskaber til korrekt brug, uden overvågning.

H) Hold øje med, at børn ikke leger med apparatet.

I) For man udføre enhver form for vedligeholdelse skal emhætten være afbrudt fra el-nettet.

Dette apparat er udviklet i overensstemmelse med det europæiske direktiv 2002/96/EF om affald af elektrisk og elektronisk udstyr (WEEE). Ved at sikre sig, at dette produkt bortskaffes på korrekt vis, bidrager brugeren til at forhindre eventuelle negative miljømæssige og

sundhedsmæssige påvirkninger.

Symbolet  på produktet eller på dokumentationen, der følger med produktet, angiver, at produktet ikke skal behandles som husholdningsaffald, men at det skal bortskaffes på passende vis på genbrugsstationer til elektriske og elektroniske apparater. Apparatet skal bortskaffes i overensstemmelse med de gældende regler for bortskaffelse af affald. For yderligere oplysninger om håndtering, gevinding og genbrug af dette produkt, bedes man kontakte de lokale myndigheder, teknisk forvaltning eller forretningen, hvor produktet er købt.

INSTRUKTION VED INSTALLERING

Monteringen og udførelsen af de elektriske forbindelser, skal udføres af specialiseret personale.

Den elektriske forbindelse.

Apparatet er udarbejdet i klasse II, derfor skal der ikke tilsluttes et kabel til jordforbindelsen.

Tilslutning til el-nettet skal udføres som følgende:

BRUN = L Linje

BLÅ = N Neutral

Hvis det ikke allerede findes, monter da et standardstik beregnet til den forsyning, som er angivet på etiketten. Hvis der allerede er et stik, sørg da for at det er let tilgængeligt efter installation af apparatet.

I tilfælde af en direkte tilslutning til el-nettet er det nødvendigt at anbringe en flerpolet afbryder med en afstand mellem kontakterne på minimum 3 mm, mellem apparatet og nettet. Afbryderen skal passe til el-forsyningen og være i overensstemmelse med de gældende normer.

- Minimums distancen mellem kogeoverfladen, målt fra selve kogepladerne, og den nederste del af emhætten, skal være mindst 65 cm.

Hvis der anvendes et forbindelsesrør bestående af to eller flere dele, skal den øverste del placeres uden på den nederste. Tilslut ikke udledningen fra emhætten med et rør, hvori der cirkulerer varm luft eller som anvendes til at udløse røg fra apparater, der ikke bruger elektrisk energi. Inden man begynder monteringen fjernes filtret (Fig.19) for at gøre håndteringen af apparatet lettere.

I de tilfælde, hvor apparatet skal installeres i en udsugende version, forberedes åbningen til udledning af luft.

- Det anbefales at anvende en luftudsugningslange med en diameter på 150.

Hvis der anvendes en mindre slange, kan det forringe produktets ydelse og medføre røget støj

• Udskiftning af halogenpærer (Fig.17).

For at udskifte halogenpærerne **B** skal man fjerne glasset **C** ved at trykke på rillerne.

Udskift pærerne med pæren af samme type.

Vær opmærksom: rør ikke ved pæren med bare hænder.

Bemærk!

- Ved installation af dette produkt anbefales det, at man er to personer.

• **Montering af emhætten**

- Inden emhætten installeres, skal man åbne emballagen og tage den øverste afdækning **L** ud og fjerne de 4 skruer **D**, der fastgør den øverste afdækning til monteringsbeslaget **C** (fig.2A).

- Tag strukturen ud af emballagen og fjern de 2 skruer **A**, for at adskille den øverste del fra den nederste (fig. 2B).

- Placér loftsbeslaget i loftet og sørg for, at pilen vender mod samme side, som apparates kontrolpanel (Fig.3).

- Lav 4 huller Ø8 i loftet og skru de 3 skruer i, uden at stramme dem helt og være opmærksom på, ikke at placere en skrue i huller afmærket med et **X** på loftsbeslaget (skruer og ravplugs skal være egnede til mur-typen).

Emhætte med udsugning

- Fastgør afdækningsbeslaget **C** til den øverste del **B** ved hjælp af skrueerne **D** (Fig.4).

Emhætte med filter

- Inden afdækningsbeslaget **C** fastgøres til den øverste del **B** skal man sætte deflektoren **E** på i de tilsvarende øjer (Fig.5).

- På emhætter med filter er luftafbøjningspladen monteret på den øverste del.

- Fastgør afdækningsbeslaget **C** til den øverste del **B** ved hjælp af skrueerne **D** (Fig.5).

- Tag den øverste del af strukturen **B** (fig.6) og placér den mod de 3 ikke helt fastskruede skruer i overensstemmelse med de 3 huller.

Drej en lille smule, til den er fastgjort (fig. 6).

Skrue den fjerde skrue **X** i og stram de 3 resterende, for helt at blokere den øverste del af strukturen **B**.

Det anbefales at fastgøre afdækningsbeslaget **C** med ekstra 4 skruer **D** i de tilsvarende huller (Fig.7).

- Tag den nederste del af den teleskopisk formet struktur **C** og indfør den i den øverste del **B** (fig.7)

Indstil den ønskede højde ifølge de angivne tal i (fig. 18) og fastgør den ved hjælp af de 8 medfølgende skruer **G** (fig.8).

- **Udsugende version:** fastgør det bøjelige rør til den åbning, som er lavet til udledning af luft (fig. 9).

- **Emhætte med filter:** Tilslut slangen til deflektoren **M**, som vist i (Fig. 10). De aktive kulfiltere skal anvendes på udsugningsdelen inden i emhætten (Fig. 20).

- Løsn de 2 skruer **O** (Fig. 11A) max 3 mm.

Sæt udsugningsdelen ind i strukturen, og vær opmærksom på, at skrueerne **O**, som forinden blev løst, hægtes fast i hullerne, som vist i (Fig.11 B).

- Skru de 2 skruer **N** fast (vedlagte) og stram de 2 skruer **O** (Fig. 11C-D).

- Tag den øverste afdækning **L**, og fastgør den til afdækningsbeslaget **C** ved hjælp af de 4 skruer **D** (Fig.12).

- På **emhætter med filter** skal man, efter at have fastgjort afdækningen til selve strukturen, flytte højre og venstre deflektor **E** udad, så de placeres ud for risten til luftudsugning på røret ved at tilpasse hullerne (Fig.13).

- Fastgør røret til udledning af luft **H** (ikke inklusiv) til pakningen **F** (fig. 14).

- Tag selve kabinettet **N**, og fastgør den øverste afdækning og skru den fast med de 4 skruer **Y** (Fig.15)

- Elektrisk tilslutning

Inden man foretager den elektriske tilslutning skal man fjerne de 4 skruer **A**, åbne skærmene og udføre den elektriske tilslutning fra emhætten til motorenheden (Fig.16)

BRUG OG VEDLIGEHOLDELSE

• Det anbefales, at apparatet sættes i funktion, inden man begynder tilberedningen af madvarer. Det anbefales, at lade emhætten køre i 15 minutter efter endt tilberedning, så al mados suges ud.

Korrekt funktion af emhætten afhænger af en korrekt og jævnlig vedligeholdelse. Man skal især være opmærksom med at udskifte fedtfilteret og det aktive kulfilter.

• Fedtfilteret har til opgave at tilbageholde de fedtpartikler, der findes i luften. Filteret vil derfor blive tilstoppet med tiden, alt efter hvor ofte emhætten anvendes.

Akrylfilteret, der støtter på risten, skal udskiftes, når skriften på filteret, der er synlig gennem risten, skifter farve og blækket løber ud. Det nye filter skal monteres, så skriften er synlig gennem risten ude fra emhætten. Hvis akrylfilterene ikke har påtrykt skrift, eller hvis der anvendes metalfilter eller filtre med aluminiumspanel, skal filterene - for at forhindre brandfare - rengøres mindst hver 2. måned på følgende måde:

- Tag filteret ud af risten, og rengør det i neutralt sæbevand for at fjerne al snavs.

- Skyl efter med rigelige mængder lunken vand, og lad filteret tørre.

Metalfilter og/eller filtre med aluminiumspanel kan også vaskes op i opvaskemaskine. På aluminiumsfiltere eller filtre med aluminiumspanel kan der opstå misfarvninger efter nogle år. Dette giver ikke ret til reklamation med henblik på udskiftning.

I tilfælde af manglende overholdelse af anvisningerne vedrørende udskiftning og rengøring, kan der opstå brandfare i fedtfilterene.

• De aktive kulfiltere har til opgave at rense den luft, der sendes tilbage i lokalet. Filterne kan ikke vaskes eller genbruges og skal udskiftes mindst hver fjerde måned. Mætningen af det aktive kul afhænger af, hvor ofte emhætten er i brug, komfurets type og hvor ofte fedtfilteret rengøres.

• Rengør ofte alle fedtaflejringer på ventilatoren og andre overflader med en klud oplødt i denatureret sprit eller et ikke-slibende og neutralt rengøringsmiddel.

• Lyset er beregnet til brug under tilberedning af mad og ikke til generel oplysning af lokalet. Længerevarende brug af lyset vil reducere lyspærrernes gennemsnitlige levetid betydeligt.

BETJENING-SENHED: (Fig.21)

Tast A = tænder/slukker lysene.

Tast B = tænder/slukker emhætten. Apparatet tændes på 1. hastighed. Hvis emhætten er tændt skal man trykke på tasten i 2 sek. for at slukke. Hvis emhætten er indstillet på 1. hastighed er det ikke nødvendigt at holde tasten trykket for at slukke. Sænker motorhastigheden.

Display C = viser den valgte motorhastighed og aktivering af timer'en.

Tast D = tænder emhætten. Øger motorhastigheden. Ved tryk på tasten fra 3. hastighed tændes den intensive funktion i 10 minutter, hvorefter apparatet vender tilbage til at fungere med den almindelige hastighed, der var indstillet det øjeblik, hvor den intensive funktion blev tændt. Under denne funktion blinker displayet.

Tast E = Når timeren aktiveres, indstiller den funktionerne til at fortsætte i 15 minutter, hvorefter de slukkes. Timeren slås fra ved at trykke på tasten **E**. Når funktionen Timer er

tóndt, blinker decimaltallet på displayet. Hvis funktionen til indstilling af hastighed er aktiveret, fungerer funktionen Timer ikke.

Hvis tasten **E** trykkes ned i 2 sekunder, når emhætten er slukket, aktiveres funktionen "**clean air**". Denne funktion tónder motoren i 10 minutter for hver time på første hastighedstrin. Når funktionen er aktiveret, viser displayet en drejende bevægelse af de omgivende segmenter. Når tiden er glet, slukker motoren igen, og på displayet vises bogstavet "**C**", indtil motoren igen efter 50 minutter aktiveres i 10 minutter og så videre.

• **Móntning af fedtfiltere / aktive kulfiltere:**

- Når displayet **C** blinker, og óndrer blóserhastigheden, med bogstavet **F** (f.eks.1 og **F**), skal fedtfilterene rengøres.
- Når displayet **C** blinker, og óndrer blóserhastigheden, med bogstavet **A** (f.eks.1 og **A**), skal kulfilterene rengøres. Når filteret er sat på plads igen, skal den elektroniske hukommelse nulstilles ved at holde tasten **A** nede i ca. **5 sek.** indtil bogstaverne **F** eller **A** stopper med at blinke på displayet **C**.

• **Betjeningsorganer:** Elektroniske (fig. 22):

A = tast for BELYSNING

B = tast for OFF/FRØRSTE HASTIGHED

C = tast for ANDEN HASTIGHED

D = tast for TREDJE HASTIGHED

E = tast for TIMER AUTOMATISK STOP 15 minutter (*)

F = tast for RESET KONTROLLAMPE FILTERMÓNTNING

Når kontrollampen for "filtermóntning" blinker skal filterene til modvirkning af fedtafsóttelse vaskes. Når kontrollampen tóndes uden at blinke skal filterene til modvirkning af fedtafsóttelse vaskes og kulfilterene skal udskiftes (i tilfóide af funktion med recirkulation).

Når denne handling er udført skal man trykke på tasten for at udføre reset.

BETJENING-SENHED: (Fig.23) **LYSENDE** - (fig. 22B)

ELEKTRONISKE er fllgende tegnforklaring góldende:

A = tast for BELYSNING

B = tast for OFF

C = tast for FRØRSTE HASTIGHED

D = tast for ANDEN HASTIGHED

E = tast for TREDJE HASTIGHED

F = tast for TIMER AUTOMATISK STOP 15 minutter (*)

Hvis Deres anlóg er udstyret med funktionen **INTENSIV** hastighed, skal knappen **E** holdes nedtrykket i 2 sekunder hvorved denne aktiveres i 10 minutter hvorefter den vender tilbage til den forudgldende hastighed.

Når funktionen er aktiveret, lyser kontrollampen. For at afbryde frá de 10 minutter er glet, tryk igen på tasten **E**.

Ved at trykke på knappen **F** i 2 sekunder (ved slukket emhætte) aktiveres funktionen "**clean air**". Denne funktion tónder motoren i 10 minutter pr. time ved laveste hastighed. Så snart funktionen er igangsat starter motoren ved første hastighed i 10 minutter, og under dette forløb skal lamperne ved knap **F** og knap **C** blinke samtidigt. Når tiden er glet standser motoren og kontrollampen ved knap **F** forbliver tóndt uden at blinke indtil der er glet endnu 50 minutter, hvor motoren igen starter ved første

hastighed, og lamperne ved **F** og **C** igen begynder at blinke samtidigt i 10 minutter, og så fremdeles. Ved at trykke på en hvilken som helst knap bortset fra lysknappen vender emhætten straks tilbage til den normale funktion (f.eks. hvis knappen **D** nedtrykkes bliver funktionen "**clean air**" afbrudt og motoren går straks i anden hastighed; ved at trykke knap **B** afbrydes funktionen).

(*) Funktionen "**timer automatisk stop**" forsinker standsning af hætten, som vil fortsótte med at vére tóndt (i 15 minutter) med den driftshastighed, der var i kraft i det íjeblik funktionen blev tilsluttet.

• **Móntning af fedtfiltere / aktive kulfiltere:**

- Når tasten **A** blinker med **2 sek.** mellemrum, skal **fedtfilterene** rengøres.

- Når tasten **A** blinker med **0,5 sek.** mellemrum, skal **kulfilterene** udskiftes.

Når filteret er sat på plads igen, skal den elektroniske hukommelse nulstilles ved at holde tasten **A** nede i ca. **5 sek.** indtil den stopper med at blinke.

• **BETJENING-SENHED:**

(Fig.24A) **MEKANISKE** (Fig.24B) **ELLIPSE** er fllgende tegnforklaring góldende:

A = tast for BELYSNING

B = tast for OFF

C = tast for FRØRSTE HASTIGHED

D = tast for ANDEN HASTIGHED

E = tast for TREDJE HASTIGHED

G = Controlelampe dat aangeeft dat de motor in werking is.

FABRIKANTEN FRALÓGGER SIG ETHVERT ANSVAR FOR SKADER FORLØRSAGET AF MANGLENDE OVERHOLDELSE AF OVENSTØLENDE ADVARSLER

YLEISTÄ

Lue ohjekirja huolellisesti, sillä se sisältää tärkeää tietoa laitteen turvallisesta asennuksesta, käytöstä ja huollosta. Säilytä ohjekirja tulevaa tarvetta varten. Laite on suunniteltu toimimaan joko imevänä versiona (ilman poisto ulos - kuva 1B), suodattavana versiona (ilman kierrätys sisällä - kuva 1A) tai ulkoisella moottorilla toimivana versiona (kuva 1C).

TURVAOHJEITA

1. Erityistä huomiota tulee kiinnittää siihen, ettei liesituuletin ole käytössä samanaikaisesti kuin tulipesä tai liesi, jotka ovat riippuvaisia huoneilmasta ja jotka käyttävät jotain muuta energianlähdettä kuin sähköä. Liesituuletin poistaa huoneilasta ilmaa, jota tulipesä tai liesi tarvitsevat polttamiseen. Huonetilan negatiivinen ilmanpaine ei saa ylittää 4Pa (4x10⁻⁵ bar). Huonetilat on siis tuuletettava asianmukaisesti tuulettimen toiminnan varmistamiseksi. Ulkoista poistoa koskien tulee noudattaa asianomaisessa maassa voimassaolevia määräyksiä.

Ennen kuin yhdistät mallin sähköverkkoon:

- huomioi sen tunnuskilvessä (löytyy laitteen sisäpuolelta) olevat tiedot tarkistaen että virran jännite ja voima vastaavat verkostoa, ja että pistorasia on sopiva. Jos olet epävarma ota yhteys pätevään sähkömieheen

- Jos liitäntäjohto on vahingoittunut, se on vaihdettava laitteen valmistajan tai tämän teknisen huoltohenkilöstön toimesta uuteen liitosjohtoon tai sitä vastaavaan.

2. HUOMIO !


Kotitalouskoneet voivat olla vaarallisia tietyissä olosuhteissa.

- A) Suodattimia ei saa yrittää säätää tuulettimen ollessa käytössä
- B) Älä koske lamppuja tai niiden lähiympäristöä valaisimen ollessa päällä, tai sen pitkään jatkuneen käytön jälkeen.
- C) Lamppuihin ei saa koskea laitteen pitkäaikaisen käytön jälkeen
- D) Tuulettimen alla ei saa valmistaa liekitettyjä ruokia
- E) Tulen polttamista muuten kuin ruoanlaiton yhteydessä tulisi välttää, sillä se vahingoittaa suodattimia ja voi aiheuttaa tulipalon
- F) Valmistettaessa paistettuja ruokia tulee ruokaa koko ajan vartioida, jotta ylikuumentunut öljy ei syty palamaan
- G) Laitetta ei ole suunniteltu lasten tai vajaakykyisten käytettäväksi ilman valvontaa.
- H) Tarkista, että lapset eivät leiki laitteella.
- I) Tuuletin on irrotettava sähköverkosta ennen huolto- toimenpiteiden aloittamista

Tämä laite on merkitty EU:n Waste Electrical and Electronic Equipment (WEEE) -direktiivin 2002/96/EC mukaisesti. Käyttäjä osallistuu mahdollisten terveydelle

ja ympäristölle haitallisten seurausten ehkäisemiseen hävittäessään laitteen asianmukaisella tavalla.

Laitteen pakkauksessa mukana oleviin asiakirjoihin

merkitty  -merkki osoittaa ettei kyseinen laite kuulu talousjätteisiin, vaan se on varta vasten toimitettava sähkö- ja elektroniikkalaiteromun keräyspisteeseen kierrätystä varten. Hävitä laite noudattamalla paikkakuntasi jätehuoltoa koskevia säädöksiä. Lisätietoja tämän laitteen keräyksestä, käsittelystä ja kierrätyksestä ota yhteys paikkakuntasi jätehuoltoon, talousjätteiden keräyspisteeseen tai liikkeeseen josta laite on hankittu.

ASENNUSOHJEET

Asennus ja sähköliitäntä on suoritettava siihen pätevän erikoishenkilöstön toimesta.

• Sähköinen liitäntä

Laite on rakennettu II-luokassa, eivätkä kaapelit sen vuoksi saa olla liitettynä maajohtoon. Liitännät sähköverkkoon on tehtävä seuraavalla tavalla:

RUSKEA = L linja

SININEN = N neutraali

Tarvittaessa tulee kaapeliin asentaa standardipistoke, joka kestää tuoteselosteessa mainitun kuormituksen.

Jos laitteessa on pistoke, kupu on asennettava siten, että pistokkeeseen pääsee käsiksi.

Liitettäessä suoraan sähköverkkoon täytyy laitteen ja verkon väliin laittaa moninapainen virrankatkaisija, jossa kontaktien minimiväli on 3 mm ja on mitoitettu kuormituksen mukaan ja joka on voimassaolevien määräysten mukainen.

• Keittopinnan kattilakannattimien ja hellakuvun minimietäisyyden on oltava vähintään 65 cm.

Mikäli joudutaan käyttämään kaksi- tai useampiosaista liitosputkea, on ylemmän osan oltava alemman ulkopuolella. Poistoilmaa ei saa johtaa kuumailmahormiin tai hormiin, jota käytetään savun poistamiseen laitteista, jotka toimivat jollakin muulla energianlähteellä kuin sähköllä. Ennen kuin alat koota laitetta, irrota rasvasuodatin/suodattimet (kuva 19) näin laitetta on helpompi käsitellä.

Jos asennetaan imevä hellakupu on ensin tehtävä ilmanpoistoaukko.

• Suositellaan käyttämään ilman poistoletkua, jonka halkaisija on vähintään 150 mm.

Kavennuskappaleen käyttö voi heikentää tuotteen toimintakykyä ja lisätä meluisuutta

• Halogeenilamppujen vaihtaminen (Kuva 17).

Halogeenilamppujen B vaihtamiseksi ota pois lasi C käyttäen viputukena asianmukaisia aukoja. Vaihda tilalle vastaavaa tyyppiset lamput.

Varoitus: älä koske lamppuun paljain käsin.

Huomaa!

- Tämän tuotteen asentaminen suositellaan tehtäväksi toisen henkilön avustuksella.

-Hellakuvun asennus

- Ennen liesituulettimen asennuksen suorittamista avaa pakkaus ja ota ylähormi **L** ja poista 4 ruuvia **D**, jotka yhdistävät ylempään hormin koko hormin kiinnitysjalustaan **C** (kuva 2A).

-Ota laite esille sitä suojaavasta pakkausmateriaalista ja poista kaksi ruuvia **A** erottaaksesi ylä- ja ala-osat toisistaan (kuva 2B).

-Aseta kohdannusmaski kattoon siten että nuoli on asetettu samalle puolelle kuin laitteen näppäimistö (kuva 3). Tee nyt 4 Ø8 reikää ja kiinnitä sitten 3 ruuvia niin etteivät ne ole aivan tiukalla, ja huomioiden että kohdannusmaskin **X** llä merkitty reikä jää vapaaksi (hokkien ja ruuvien on oltava asianmukaisesti seinän materiaaliin nähden).

Imevä versio

- Liitä hormin kiinnitysjalusta **C** ylempään kehiköön **B** neljällä ruuvilla **D** (Kuva 4).

Suodattava versio

- Ennen kiinnitysjalustan **C** liittämistä yläkehiköön **B** siirrä kääntökourua **E** sisäänpäin käsitellen asianmukaisia aukkoja (Kuva 5).

- Suodattavassa versiossa ilman ohjain on asennettu yläkehiköön.

- Liitä hormin kiinnitysjalusta **C** ylempään kehiköön **B** neljällä ruuvilla **D** (Kuva 5).

-Ota rakenteen **B** yläosa (kuva 6) ja aseta se kolmen hiukan löysän ruuvien kohdalle varoen että rakenteen kolme ruuvinläpää kohdittuvat täydellisesti.

Kierrä sitten rakennetta siten että se lomittuu kiinni (kuva 6).

Kiinnitä nyt neljäs ruuvi **X** ja kiristä kolme muuta ruuvia niin että rakenteen **B** yläosa on lopullisesti kiinnitetty. Suosittelemme kiinnittämään hormin kiinnitysjalusta **C** vielä toisilla 4 ruuvilla **D** käyttäen asianmukaisia turva-aukkoja (Kuva 7).

-Ota sisäkkäin asennettava rakenteen **C** alaosa ja asenna se rakenteeseen **B** (kuva 7).

Säädä haluttu korkeus (kuva 18) olevien viitteiden mukaisesti ja kiinnitä se 8 laitteen mukana seuraavalla ruuvilla **G** (kuva 8).

-**Imevä malli:** kiinnitä taipuva putki edeltäkäs in tehtyyn ilmanvaihtokanavaan (kuva 9).

- **Suodattava versio:** liitä letku kääntökouruun **M** kuten osoitettu (Kuva 10), aktiivihiihisuodattimet tulee asentaa imevään yksikköön, joka sijaitsee liesituulettimen sisällä (Kuva 20).

-Löysennä max 3 mm kaksi ruuvia **O** (kuva 11A).

Työnnä imevä yksikkö kehikon sisälle varoen, että aiemmin irrotetut ruuvit **O** kiinnittyvät aukkoihin kuten osoitettu (Kuva 11B).

Ruuvaa kiinni 2 ruuvia **N** (toimituksen mukana) ja kiristä 2 ruuvia **O**.

- Ota ylempi hormi **L** ja kiinnitä se hormin kiinnitysjalustaan **C** 4 ruuvilla **D** (Kuva 12).

- **Suodattavaa versiota** varten sen jälkeen, kun hormi on kiinnitetty kehiköön, siirrä vasen ja oikea kääntökouru **E** ulospäin vieden ne ilman ulostuloaukon ritilöitä vastaavasti käsitellen asianmukaisia lovettuja aukkoja (Kuva 13).

- Kiinnitä ilman poistoletku **H** (ei toimitettu) liittämälaippaan **F** (Kuva 14).

- Ota lohko **N** ja yhdistä se ylempään hormiin ja kiinnitä lopullisesti 4 ruuvilla **Y** (Kuva 15).

- Sähköliitäntä

Ennen liittännän suorittamista poista 4 ruuvia **A**, avaa kannet ja suorita sähköliitännät liesituulettimen rungon ja moottoriyksikön välillä (Kuva 16).

KÄYTTÖ JA HUOLTO

• Suositellaan käynnistämään laite ennen minkä tahansa ruuan kypsennyksen aloittamista. On suositeltavaa antaa laitteen toimia vielä 15 minuuttia ruokien kypsennyksen päättymisen jälkeen, jotta ruoanvalmistuksen käryt saadaan kokonaan pois.

Liesituulettimen hyvä toiminta riippuu oikeasta ja säännöllisestä huollosta; erityistä huomiota tulee kiinnittää rasvasuodattimeen ja aktiivihiihisuodattimeen.

• Rasvasuodattimen tehtävänä on pitää ilmassa leijuvat rasvahiukkaset ja siksi se on altis tukkeutumaan ajanjaksossa, jonka pituus vaihtelee laitteen käytön mukaan.

Ritilälle asetettu akryylisuodatin tulee vaihtaa, kun ritilän läpi näkyvät kirjoitukset vaihtavat väriä ja muste lieviää; uusi suodatin tulee asettaa paikalleen siten, että kirjoitukset näkyvät ritilän läpi liesituulettimen ulkopuolelle.

Mikäli akryylisuodattimissa ei ole kirjoituksia tai laitteessa on metallisuodattimia tai alumiinipaneeleja, mahdollisen tulipalovaaran estämiseksi suodattimet tulee pestä vähintään joka 2. kuukauden välein suorittaen seuraavat toimenpiteet:

- poista suodatin ritilästä ja pese se vesiliuoksella ja neutraalilla pesuaineella antaen lian liota.

- huuhtele huolellisesti lämpimällä vedellä ja anna kuivua. Metallisuodattimet ja/tai alumiinipaneeli voidaan pestä myös pesukoneessa. Muutamien pesukertojen jälkeen voidaan havaita värimuutoksia, jos suodattimet ovat alumiinista tai alumiinipaneeleista. Tämä tosiasia ei anna oikeutta vaatia niiden vaihtamista.

Mikäli ei noudateta vaihtamista tai pesemistä koskevia ohjeita, rasvasuodattimien tulipalovaara lisääntyy.

• Aktiivihiihisuodattimia käytetään puhdistamaan ilma, joka palautetaan huonetilaan. Suodattimia ei voi pestä tai käyttää uudelleen ja ne tulee vaihtaa vähintään joka neljäs kuukausi. Aktiivihiihen kyllästyminen riippuu laitteen käyttöajan pituudesta, ruuanvalmistustavoista ja säännöllisyydestä, jolla suoritetaan rasvasuodattimen puhdistus.

• Puhdista usein kaikki tuulettimeen ja muille pinnoille muodostuvat kerääntymät käyttäen liinaa, joka on kostutettu denaturoidulla alkoholilla tai hankaamattomalla neutraalilla pesuaineella.

• Valaistuslaitteisto on suunniteltu käytettäväksi ruokien kypsennyksen aikana eikä pitkäaikaiseen ympäristön yleiseen valaisuun. Valaistuksen pitkäaikainen käyttö vähentää huomattavasti lamppujen keskimääräistä käyttöikää.

• **OHJAIMET:** (Kuva 21)

Näppäin A = syyttää / sammuttaa valot

Näppäin B = käynnistää / sammuttaa kuvun. Laite käynnistyy ensimmäiselle nopeudelle.

Jos liesikupu on päällä paina näppäintä 2 sek. ajan ja sen toiminta lakkaa. Jos laite toimii ykkösnopeudella, näppäintä ei tarvitse pitää alas painettuna laitetta sam-

mutettaessa. Laskee moottorin nopeutta.

Näyttö C = ilmoittaa valitun moottorin nopeuden ja ajastimen aktivoivoinnin.

Näppäin D = käynnistää kuvun. Nostaa moottorin nopeutta. Painamalla näppäintä kolmannelle nopeudella laite toimii täydellä teholla 10 sekunnin ajan, sen jälkeen laite alkaa toimia aktiividulla nopeudella. Tämän toiminnon ajan näytön valo vilkkuu.

Näppäin E = Ajastin ajastaa toiminnot käynnistämishetkellä 15 minuutin ajaksi. Sen jälkeen toiminnot sammuvat. Ajastin lakkaa toimimasta kun painat uudelleen näppäintä **E**. Kun ajastintoinnointo on päällä desimaalipisteen on välkyttävä näytöllä. Jos tehonpuistoiminto on päällä ajastinta ei voida käynnistää.

Painamalla näppäintä **E** 2 sekunnin ajan, laitteen ollessa sammuksissa, "**clean air**"-toiminto käynnistyy. Tämä toiminto käynnistää moottorin joka tunti, 10 minuutin ajaksi ykkösnopeudella. Toiminnan aikana näytön reunoilla tulee näkyä pyörivä liike. Tämän ajan kuluttua moottori sammuu ja näytöllä tulee näkyä "**C**"-kirjain seuraavien 50 minuutin ajan kunnes moottori taas käynnistyy seuraaviksi 10 minuutiksi ja niin edelleen.

• **Rasva-/aktiivihiihisuodattimien täytyminen:**

- Kun näyttö **C** vilkkuu ja siihen tulevat näkyviin vuorotellen toimintanopeus ja kirjain **F** (esim. 1 ja **F**), **rasvasuodattimet** tulee pestä.

- Kun näyttö **C** vilkkuu ja siihen tulevat näkyviin vuorotellen toimintanopeus ja kirjain **A** (esim. 1 ja **A**), **aktiivihiihisuodattimet** tulee vaihtaa.

Kun puhdas suodatin on liitetty, tulee elektroninen muisti nollata painaen painiketta **A** noin **5 sekunnin** ajan, kunnes näyttö **C** ilmoitus **F** tai **A** lakkaa vilkkumasta.

• **OHJAIMET:**Elektroniset (kuva 22A):

A= Valaistuksen painike

B= OFF /ensimmäisen nopeuden painike

C= toisen nopeuden painike

D= kolmannen nopeuden painike

E= Automaattiajastin (15 min.) (*)

F= Suodattimien tukkeutumisen merkivalo

Rasvasuodattimet on puhdistettava kun "suodattimien tukkeutumisen merkivalo" vilkkuu.Kun merkivalo palaa jatkuvasti rasvasuodattimet on puhdistettava ja hiihisuodattimet vaihdettava (suodatinkupu-versiossa). Paina painiketta näiden toimenpiteiden jälkeen, jolloin se nollautuu.

• **OHJAIMET:** (kuva23) **VALOLLA VARUSTETUT** - (kuva 22B) **ELEKTRONISET**

A = Valaistuksen painike

B = OFF

C = ensimmäisen nopeuden painike

D = toisen nopeuden painike

E = kolmannen nopeuden painike

F = Automaattiajastin (15 min.) (*)

Jos laitteesi on varustettu **INTENSIIVI** nopeudella, pidä painettuna n. 2 sekuntia näppäintä **E** jolloin se käynnistyy kymmeneksi minuutiksi, jonka jälkeen palaa ennalta-käsin ohjelmoitua nopeuteen. Kun toiminta on käynnissä

valomerkki välkky. Jos haluat katkaista toiminnan ennenkuin 10 min. on kulunut painalla uudelleen näppäintä **E**.

Jos painallat näppäintä **F** n.2 sek. (tuulettimeen ollessa pois päältä), käynnistät toiminnon "clean air". "**Clean air**" käynnistää tuulettimeen kymmeneksi minuutiksi tunnin väliajoin alimmalla kierrosnopeudella. Jos valitset tämän toimintamuodon laite käynnistyy kymmeneksi minuutiksi joiden aikana välkehtivät näppäinten **F** ja **C**. n valomerkit. Kymmenen minuutin jakson päätyttyä moottori pysähtyy ja vain näppäimen **F** valomerkki jää päälle kunnes 50.nen minuutin kuluttua moottori käynnistyy uudelleen ja näppäimien **F** ja **C** valomerkit välkehtivät jne. Valiten minkä tahansa muun näppäimen – valaisinta lukuunottamatta – tuuletin palautuu heti normaaliin käyttöön (esim. jos painat näppäintä **D** "**clean air**" poistuu käytöstä ja tuuletin pyörii kakkosnopeudella; painaltaen näppäintä **B** toiminta poistuu käytöstä).

(*) "Automaattiajastin" pysäyttää liesituulettimeen 15 min. viiveellä. Tuuletin jatkaa toimintaansa lähtönopeudellaan 15 min ajan painikkeen painamisen jälkeen.

• **Rasva-/aktiivihiihisuodattimien täytyminen:**

- Kun näppäin **A** vilkkuu **2 sekunnin** välein, **rasvasuodattimet** tulee pestä.

- Kun näppäin **A** vilkkuu **0,5 sekunnin** välein, **aktiivihiihisuodattimet** tulee vaihtaa.

Kun puhdas suodatin on liitetty, tulee elektroninen muisti nollata painaen painiketta **A** noin **5 sekunnin** ajan, kunnes se lakkaa vilkkumasta.

• **OHJAIMET:** (kuva24A) **MEKAANISET** (kuva24B) **ELLIPSI:**

A = Valaistuksen painike

B = OFF

C = ensimmäisen nopeuden painike

D = toisen nopeuden painike

E = kolmannen nopeuden painike

G = Moottorin käynnistymisen merkivalo

LAITTEEN VALMISTAJA EI OLE VASTUUSSA VAHINGOISTA, JOTKA OVAT AIHEUTUNEET YLLÄMAINITTUJEN OHJEIDEN LAIMINLYÖNNISTÄ.

ΓΕΝΙΚΑ

Διαβάστε προσεκτικά το περιεχόμενο των οδηγιών, διότι παρέχει σημαντικές υποδείξεις που αφορούν την ασφάλεια της εγκατάστασης της χρήσης και της συντήρησης. Φυλάξτε το φυλλάδιο για ενδεχόμενες συμβουλές. Η συσκευή σχεδιάστηκε για χρήση σε έκδοση απορρόφησης (εκκένωση αέρα προς το εξωτερικό - Εικ.1B), διήθησης (ανακύκλωση αέρα στο εσωτερικό - Εικ.1A) ή με εξωτερικό κινητήρα (Εικ.1C).

ΥΠΟΔΕΙΞΕΙΣ ΑΣΦΑΛΕΙΑΣ

1. Προσοχή σε περίπτωση που λειτουργούν ταυτόχρονα απορροφητήρας απορρόφησης και καυστήρας ή μια εστία που εξαρτώνται από τον αέρα του περιβάλλοντος και τροφοδοτούνται από ενέργεια όχι ηλεκτρική διότι ο απορροφητήρας απορροφώντας αφαιρεί από το περιβάλλον τον αέρα που έχουν ανάγκη για την καύση ο καυστήρας ή η εστία. Η αρνητική πίεση στο χώρο δεν πρέπει να ξεπερνά τα 4PA (4x10-5bar). Για σίγουρη ασφαλές λειτουργία του απορροφητήρα, οφείλεται να υπάρχει κατάλληλος αερισμός στο χώρο. Για την εξωτερική εκκένωση ακολούθησε τις ισχύοντες προδιαγραφές της χώρας.

Πριν συνδέσετε το μοντέλο στο ηλεκτρικό δίκτυο:

- Ελέγξτε την πινακίδα στοιχείων (που βρίσκεται στο εσωτερικό της συσκευής) για να βεβαιωθείτε ότι η τάση και η ισχύς της συσκευής αντιστοιχούν στο ηλεκτρικό σας δίκτυο καθώς και για την καταλληλότητα του ηλεκτρικού βύσματος. Σε περίπτωση δυσκολιών επικοινωνήστε με έναν ειδικευμένο ηλεκτρολόγο
- Αν το καλώδιο τροφοδοσίας είναι χαλασμένο, πρέπει να αντικατασταθεί από ένα καλώδιο ή ένα ειδικό σύστημα, διαθέσιμο από τον κατασκευαστή ή την υπηρεσία του τεχνικής υποστήριξης.


2. ΠΡΟΣΟΧΗ !

Σε ορισμένες περιπτώσεις οι ηλεκτρικές οικιακές συσκευές μπορεί να είναι επικίνδυνες!

- A) Μην ελέγχετε ποτέ τα φίλτρα όταν ο απορροφητήρας είναι σε λειτουργία.**
- B) Μην ακουμπάτε τις λάμπες και τις γύρο περιοχές, κατά την διάρκεια και μετά την παρατεταμένη χρήση της εγκατάστασης φωτισμού.**
- C) Μην αγγίζετε την λάμπα μετά από παρατεταμένη χρήση της συσκευής**
- D) Απαγορεύεται το μαγείρεμα φαγητών με φλόγες κάτω από τον απορροφητήρα**
- E) Να αποφεύγονται ανοιχτές φλόγες γιατί καταστρέφονται τα φίλτρα και υπάρχει κίνδυνος πυρκαγιάς**
- F) Ελέγχετε τα φαγητά κατά το τηγάνισμα για την αποφυγή υπερθέρμανσης του λαδιού.**
- G) Η συσκευή δεν σχεδιάστηκε για να χρησιμοποιείται από παιδιά ή μη ικανά άτομα χωρίς επιτήρηση.**
- H) Ελέγχετε να μην παίρνουν παιδιά με τη συσκευή.**
- I) Σε περίπτωση που υποστεί βλάβη το καλώδιο του απορροφητήρα, θα πρέπει αυτό να επισκευαστεί από σέρβις εξουσιοδοτημένο από τον προμηθευτή διότι απαιτούνται ειδικά εργαλεία.**
- L) Πριν από οποιαδήποτε επισκευή βγάξτε πρώτα οπωσδήποτε το καλώδιο από την πρίζα.**

Η συσκευή αυτή είναι χαρακτηρισμένη σύμφωνα με την Ευρωπαϊκή Οδηγία 2002/96/EC, Waste Electrical and Electronic Equipment (WEEE). Ο χρήστης με το να

διαθέτει το προϊόν αυτό ως απόρριμμα με τον ενδεδειγμένο τρόπο συμβάλει στην αποφυγή αρνητικών συνεπειών για το περιβάλλον και την υγεία.

Το σύμβολο  στο προϊόν ή στην τεκμηρίωση που το συνοδεύει δείχνει ότι το προϊόν αυτό δεν πρέπει να αντιμετωπίζεται ως απόρριμμα οικιακό αλλά πρέπει να παραδίδεται σε κατάλληλα σημεία συλλογής για την ανακύκλωση ηλεκτρικών και ηλεκτρονικών συσκευών. Διαθέστε το ως απόρριμμα τηρώντας τους κατά τόπους κανονισμούς για τη διάθεση των απορριμμάτων.

Για περαιτέρω πληροφορίες για τη μεταχείριση, την ανάκτηση και την ανακύκλωση του προϊόντος αυτού, επικοινωνήστε με το αρμόδιο τοπικό γραφείο, την υπηρεσία συλλογής οικιακών απορριμμάτων ή το κατάστημα από το οποίο αγοράσατε το προϊόν αυτό.

ΟΔΗΓΙΕΣ ΕΓΚΑΤΑΣΤΑΣΗΣ

Οι διαδικασίες τοποθέτησης και ηλεκτρικής σύνδεσης πρέπει να γίνονται από ειδικευμένο προσωπικό.

• Ηλεκτρική σύνδεση

Η συσκευή ανήκει στο τύπο II, που σημαίνει πως κανένα καλώδιο δεν πρέπει να συνδεθεί με την γείωση. Η σύνδεση στο δίκτυο θα πρέπει να γίνει ως εξής:

ΚΑΦΕ: γραμμή L

ΜΠΛΕ: N ουδέτερη γραμμή

Αν δεν υπάρχει ήδη ένα φικς μοντάρτε στο καλώδιο ένα φικς προσαρμοσμένο στο ηλεκτρικό φορτίο που αναφέρεται στην χαρακτηριστική ετικέτα.

Αν υπάρχει ήδη, τότε ο απορροφητήρας θα πρέπει να μονταριστεί, έτσι ώστε το φικς να είναι σε προστό με την χρήση σημείου.

Σε περίπτωση άμεσης σύνδεσης με το ηλεκτρικό δίκτυο είναι αναγκαίο να παρεμβληθεί μεταξύ της συσκευής και του ηλεκτρικού δικτύου ένας πολυπολικός διακόπτης με ελάχιστο άνοιγμα μεταξύ των επαφών 3mm προσαρμοσμένο στο ηλεκτρικό φορτίο και να συμφωνεί με τα ισχύοντα πρότυπα.

• Η ελάχιστη απόσταση από την επιφάνεια στήριξης των συσκευών μαγειρέματος στις εστίες και το χαμηλότερο τμήμα του απορροφητήρα της κουζίνας πρέπει να είναι ίση με τουλάχιστον 65 εκ.

Σε περίπτωση που χρησιμοποιηθεί σωλήνας σύνδεσης το οποίο αποτελείται από δύο ή περισσότερα κομμάτια, θα πρέπει το πάνω μέρος να περαστεί πάνω από το κάτω μέρος. Σε καμία περίπτωση δεν πέπει ο σωλήνας απορρόφησης να συνδεθεί με σωλήνα, ο οποίος χρησιμοποιείται για εκκένωση καπνού συσκευών που τροφοδοτούνται από ενέργεια όχι ηλεκτρική.

Πριν προχωρήσετε στις διεργασίες συναρμολόγησης, για ευκολότερο χειρισμό της συσκευής αποσυνδέστε το φίλτρο/α συγκράτησης λιπαρών (Εικ.19).

- Στην περίπτωση συναρμολόγησης της συσκευής στην έκδοση για απορρόφηση τοποθετήστε την οπή εξαγωγής αέρα.

• Συνιστάται η χρήση ενός σωλήνα εκκένωσης αέρα με διάμετρο 150.

Η χρήση προσαρμοστικού θα μπορούσε να ελαττώσει τις επιδόσεις του προϊόντος και να αυξήσει τη θορυβότητα

• Αντικατάσταση των λυχνιών αλογόνου (Εικ.17).

Για την αντικατάσταση των λυχνιών αλογόνου **B** βγάλτε το γυαλάκι **C** κάνοντας αντίσταση στις σχετικές

εσοχής.

Αντικαταστήστε με λυχνίες ίδιου τύπου.

Προσοχή: μην αγγίζετε τη λυχνία με γυμνά χέρια.

Σημείωση!

- Για την εγκατάσταση του προϊόντος αυτού προτείνεται η βοήθεια ενός δεύτερου ατόμου.

• Συναρμολόγηση του απορροφητήρα

- Πριν διενεργήσετε την εγκατάσταση του απορροφητήρα, ανοίξτε τη συσκευασία, πάρτε την επάνω καπνοδόχο **L** και βγάλτε τις 4 βίδες **D** που ενώνουν την καπνοδόχο με το πλαίσιο στερέωσης καπνοδόχου **C** (εικ. 2A).

- Αφαιρέστε την συσκευή από την συσκευασία της και ξεβιδώστε τις δύο βίδες **A** για να αποσυναρμολογήσετε το άνω από το κάτω τμήμα της (Σχ.2B).

- Τοποθετήστε τον οδηγό τρυπήματος στο τβάνι με προσοχή ώστε το βέλος να είναι τοποθετημένο στην ίδια πλευρά του ελέγχου της συσκευής (Σχ.3).
Ανοίξτε τις 4 τρύπες R8 στο τβάνι και βιδώστε 3 βίδες χωρίς να τις σφίξετε τελείως και με προσοχή ώστε να μην βιδώσετε την βίδα στην οπή με το σημάδι **X** sulla dima di foratura (οι βίδες και τα αντίστοιχα ούπα πρέπει να είναι κατάλληλα για την τυπολογία του τοίχου).

Έκδοση Απορρόφησης

- Συζεύξτε το πλαίσιο στερέωσης καπνοδόχου **C** με την επάνω δομή **B** μέσω των τεσσάρων βιδών **D** (Εικ.4).

Έκδοση Φιλτραρίσματος

- Πριν συζεύξετε το πλαίσιο στερέωσης **C** με την επάνω δομή **B** μετατοπίστε προς τα μέσα τον εκτροπέα **E** ενεργώντας στα σχετικά ανοίγματα (Εικ.5).

- Στην έκδοση Φιλτραρίσματος ο εκτροπέας αέρα είναι μονταρισμένος στην επάνω δομή.

- Συζεύξτε το πλαίσιο στερέωσης καπνοδόχου **C** με την επάνω δομή **B** μέσω των τεσσάρων βιδών **D** (Εικ.5).

- Πάρτε το πάνω μέρος της συσκευής **B** (Σχ.6) και περάστε το στις 3 μη σφιγμένες βίδες στο σημείο των 3ων οπών.

Στρίψτε ελαφρά μέχρι να κουμπώσει (Σχ.6).

Βιδώστε την τέταρτη βίδα **X** και τραβήξτε τις άλλες 3 για να μπλοκαριστεί το πάνω τμήμα της συσκευής **B**.
Σας συμβουλεύουμε να στερεώσετε το πλαίσιο στερέωσης καπνοδόχου **C** με άλλες 4 βίδες **D** στις σχετικές οπές ασφαλείας (Εικ. 7).

- Πάρτε το κάτω τμήμα της τηλεσκοπικής δομής **C** και εφαρμόστε την στο άνω τμήμα **B** (Σχ.7).

Ρυθμίστε το επιθυμητό ύψος έχοντας ως σημεία αναφορά τις τιμές που αναφέρονται στο (Σχ.18) και σταθεροποιήστε στην συνέχεια με τις 8 βίδες **G** που σας παρέχονται (Σχ.8).

- **Έκδοση απορρόφησης:** σταθεροποιήστε τον εύκαμπο σωλήνα fissare il tubo στην οπή εξόδου του αέρα (fig. 9).

- **Έκδοση φιλτραρίσματος:** συνδέστε τον εύκαμπο σωλήνα στον εκτροπέα **M** όπως υποδεικνύεται στην (Εικ.10), τα φίλτρα ενεργού άνθρακα πρέπει να εφαρμόζονται στη μονάδα απορρόφησης που βρίσκεται στο εσωτερικό του απορροφητήρα (Εικ.20).
- Ξεβιδώστε για το μέγιστο 3 χιλ τις 2 βίδες **O** (Σχ.11A). Βάλτε τη μονάδα απορρόφησης στο εσωτερικό της δομής προσέχοντας ώστε οι βίδες **O**, που πριν ξεβιδώθηκαν, να αγκιστρωθούν με τις εσοχές όπως υποδεικνύεται στην (Εικ. 11 B).

- Βιδώστε τις 2 βίδες **N** (που παρέχονται) και τραβήξτε τις δύο βίδες **O** (Σχ.11C-D).

- Πάρτε την επάνω καπνοδόχο **L** και στερεώστε τη στο πλαίσιο στερέωσης καπνοδόχου **C** μέσω των 4 βιδών **D** (Εικ.12).

- Για την **έκδοση φιλτραρίσματος**, αφού προσετρωθεί η καπνοδόχος στη δομή μετατοπίστε προς τα έξω τους εκτροπέες Dx (δεξιό) και Sx (αριστερό) **E** φέροντάς

τους απέναντι από τις γρίλιες εξόδου αέρα του σωλήνα ενεργώντας στις σχετικές εσοχές (Εικ.13).

- Συνδέστε τον σωλήνα εξαγωγής αέρα **H** (δεν παρέχεται) στην φλάντζα σύζευξης **F** (Σχ.14)

- Πάρτε το μπλοκ **N** και συζεύξτε το με την επάνω καπνοδόχο και στερεώστε το οριστικά με τις 4 βίδες **Y** (Εικ.15)

- Ηλεκτρική σύνδεση

Πριν διενεργήσετε τη σύνδεση, βγάλτε τις 4 βίδες **A** ανοίξτε τα καπάκια και διενεργήστε τις ηλεκτρικές συνδέσεις μεταξύ σώματος απορροφητήρα και της μονάδας κινητήρα (Εικ.16)

ΧΡΗΣΗ ΚΑΙ ΣΥΝΤΗΡΗΣΗ

• Συνιστάται να θέτετε σε λειτουργία τη συσκευή πριν προχωρήσετε στο μαγειρέμα κάποιου τροφίμου. Συστήνεται να αφήνετε τη συσκευή να λειτουργεί για 15 λεπτά αφού τελειώσετε το μαγείρεμα των τροφίμων, για πλήρη εκκένωση του μολυσμένου αέρα.

Η καλή λειτουργία του απορροφητήρα εξαρτάται από τη σωστή και συνεχή συντήρηση. Ιδιαίτερη προσοχή πρέπει να δοθεί στο φίλτρο συγκράτησης λίπους και στο φίλτρο ενεργού άνθρακα.

• Το φίλτρο συγκράτησης λίπους έχει ως σκοπό τη συγκράτηση των λιπαρών σωματιδίων που αιωρούνται στον αέρα, συντεπώς υπόκειται σε έμφραξη σε χρονικά διαστήματα που ποικίλουν ανάλογα με τη χρήση της συσκευής.

Το ακρυλικό φίλτρο, που βρίσκεται στο πλέγμα, αντικαθίσταται όταν οι ενδείξεις, ορατές μέσω του πλέγματος, αλλάζουν χρώμα και το μελάνι απλώνεται. Το νέο φίλτρο πρέπει να εφαρμόζεται με τέτοιο τρόπο που οι ενδείξεις να είναι ορατές έξω από τον απορροφητήρα μέσω του πλέγματος.

Στην περίπτωση που τα ακρυλικά φίλτρα δεν φέρουν ενδείξεις ή υπάρχουν φίλτρα μεταλλικά ή με πάνελ αλουμινίου, για να προληφθεί ο κίνδυνος ενδεχόμενης πυρκαγιάς, είναι αναγκαίο να πλένετε τα φίλτρα το πολύ κάθε 2 μήνες κάνοντας τα εξής:

- βγάλτε το φίλτρο από το πλέγμα και πλύνετε τον με υδατικό διάλυμα και υγρό ουδέτερο απορρυπαντικό αφηνοτάς το να εντοπίσει τη βρωμιά.

- Ξεβγάλετε με άφθονο χλιαρό νερό και αφήστε να στεγνώσει.

Τα μεταλλικά φίλτρα ή/και πάνελ αλουμινίου μπορούν να πλένονται και στο πλυντήριο πιάτων. Μετά από μερικά πλυσίματα, αν τα φίλτρα είναι από αλουμίνιο ή πάνελ αλουμινίου, μπορεί να διαπιστωθούν αλλοιώσεις του χρώματός. Το γεγονός αυτό δεν συνεπάγεται δικαίωμα διαμαρτυρίας για την ενδεχόμενη αντικατάστασή τους.

Σε περίπτωση που δεν τηρηθούν οι οδηγίες αντικατάστασης και πλυσίματος μπορεί να υπάρξει κίνδυνος πυρκαγιάς των φίλτρων συγκράτησης λίπους.

• Τα φίλτρα ενεργού άνθρακα χρησιμεύουν για να καθαρίζουν τον αέρα που διοχετεύεται στο περιβάλλον. Τα φίλτρα δεν πλένονται κι ούτε αναγεννιούνται και πρέπει να αντικαθίστανται κάθε τέσσερις μήνες το πολύ. Ο κορεσμός του ενεργού άνθρακα εξαρτάται από τη χρήση, περισσότερο ή λιγότερο παρατεταμένη, της συσκευής, από τον τύπο της κουζίνας και από τη συχνότητα καθαρισμού του φίλτρου συγκράτησης λίπους.

• Να καθαρίζετε συχνά όλα τα κατακάθια στον ανεμιστήρα και στις άλλες επιφάνειες, χρησιμοποιώντας ένα πανί βρεγμένο με οινόπνευμα καθαρισμού ή υγρά ουδέτερα και μη βίαια απορρυπαντικά.

• Η εγκατάσταση φωτισμού σχεδιάστηκε για να χρησιμοποιείται κατά το μαγείρεμα και όχι για γενικό

παρεταταμένο φωτισμό του χώρου. Η παρεταταμένη χρήση του φωτισμού μειώνει σημαντικά τη μέση διάρκεια των λυχνιών.

Εντολές: (Εικ.21)

Πλήκτρο A = αναβεί/σβήνει τα φώτα

Πλήκτρο B = αναβεί/σβήνει τον απορροφητήρα. Η συσκευή αναβεί στην 1^ο ταχύτητα. Εάν ο απορροφητήρας είναι αναμμένος πατήστε το πλήκτρο για 2 δευτ. για να σβήσει. Εάν ο απορροφητήρας βρισκείται στην 1^ο ταχύτητα δεν είναι αναγκαίο να κρατάς πατημένο το πλήκτρο για να σβήσει. Ελαττώνει την ταχύτητα του κινητήρα.

Display C = δείχνει την ταχύτητα επιλογής του κινητήρα και την ενεργοποίηση του timer.

Πλήκτρο D = αναβεί τον απορροφητήρα. Αυξάνει την ταχύτητα του κινητήρα. Πατώντας το πλήκτρο από την 3^ο ταχύτητα εισαγεται η εντατική λειτουργία για 10', μετά η συσκευή ξαναυριζει να λειτουργεί στην ταχύτητα που λειτουργούσε την στιγμή της ενεργοποίησης. Κατά την διάρκεια αυτής της λειτουργίας το display αναβασβήνει.

Πλήκτρο E = Το Timer ρυθμίζει χρονικά τις λειτουργίες, τη στιγμή της ενεργοποίησης, για 15 λεπτά μετά την απενεργοποίησή τους. Το Timer απενεργοποιείται ξαναπιέζοντας το κουμπί **E**. Όταν η λειτουργία Timer είναι ενεργή στην οθόνη πρέπει να αναβασβήνει το δεκαδικό σημείο. Αν είναι σε λειτουργία η έντονη ταχύτητα, το Timer δεν μπορεί να ενεργοποιηθεί.

Πιέζοντας το κουμπί **E** για 2 δευτερόλεπτα, όταν η συσκευή είναι σβηστή, ενεργοποιείται η λειτουργία "clean air". Αυτή ενεργοποιεί τον κινητήρα για 10 λεπτά κάθε ώρα στην πρώτη ταχύτητα. Κατά τη λειτουργία, η οθόνη πρέπει να απεικονίζει μια περιστροφική κίνηση των περιφερειακών τμημάτων. Με το πέρασ του χρόνου αυτού ο κινητήρας σβήνει και η οθόνη πρέπει να απεικονίζει το γράμμα "C" σταθερά μέχρις ότου, μετά από άλλα 50 λεπτά, θα επανεκκινήσει ο κινητήρας για άλλα 10 λεπτά κ.ο.κ..

• **Κορεσμός φίλτρων συγκράτησης λίπους/ενεργού άνθρακα:**

- Όταν η οθόνη **C** αναβασβήνει εναλλάσσοντας την ταχύτητα εργασίας με το γράμμα **F** (π.χ.1 και **F**) τα φίλτρα **συγκράτησης λίπους** πρέπει να πλυθούν.

- Όταν η οθόνη **C** αναβασβήνει εναλλάσσοντας την ταχύτητα εργασίας με το γράμμα **A** (π.χ.1 και **A**) τα φίλτρα **ενεργού άνθρακα** πρέπει να αντικατασταθούν. Αφού επανατοποθετηθεί το καθαρό φίλτρο, θα πρέπει να κάνετε reset στην ηλεκτρονική μνήμη πιέζοντας το κουμπί **A** για περίπου **5 sec** μέχρι να σταματήσει να αναβασβήνει η επισήμανση **F** ή **A** της οθόνης **C**.

• **ΕΛΕΓΧΟΣ: ΗΛΕΚΤΡΟΝΙΚΗ** (Εικ.22A):

A= πλήκτρο ΦΩΤΙΣΜΟΣ

B= πλήκτρο OFF/ΠΡΩΤΗ ΤΑΧΥΤΗΤΑ

C= πλήκτρο ΔΕΥΤΕΡΗ ΤΑΧΥΤΗΤΑ

D= πλήκτρο ΤΡΙΤΗ ΤΑΧΥΤΗΤΑ

E= πλήκτρο TIMER ΑΥΤΟΜΑΤΟ ΣΒΗΣΙΜΟ ΣΕ 15 λεπτά

(*)

F= πλήκτρο RESET ΕΝΔΕΙΞΗ ΑΝΤΙΚΑΤΑΣΤΑΣΗΣ ΦΙΛΤΡΩΝ

Όταν η ένδειξη "ΑΝΤΙΚΑΤΑΣΤΑΣΗ ΦΙΛΤΡΩΝ" αναβεί τα φίλτρα κατά του λίπους πρέπει να πλυθούν.

Όταν η ένδειξη αναβεί χωρίς να αναβασβήνει τα φίλτρα κατά του λίπους πρέπει να πλυθούν και τα φίλτρα του ενεργού άνθρακα πρέπει να αντικατασταθούν(στην περίπτωση λειτουργίας στην έκδοση ανακύκλωσης).

Αφού γίνει αυτή η επέμβαση, πατήστε το sul πλήκτρο για να το επαναφέρετε

Εντολές: (Εικ.23) **φωτεινοι** - (Εικ.22B) **ΗΛΕΚΤΡΟΝΙΚΗ**

A = πλήκτρο ΦΩΤΙΣΜΟΣ

B = πλήκτρο ΟΦΦ ΤΑΧΥΤΗΤΑ

C = πλήκτρο ΠΡΩΤΗ ΤΑΧΥΤΗΤΑ

D = πλήκτρο ΔΕΥΤΕΡΗ ΤΑΧΥΤΗΤΑ

E = πλήκτρο ΤΡΙΤΗ ΤΑΧΥΤΗΤΑ

F = πλήκτρο TIMER ΑΥΤΟΜΑΤΟ ΣΤΑΜΑΤΗΜΑ 15 λεπτών

(*)

Εάν η συσκευή σας διαθέτει την λειτουργία **ΕΝΤΟΝΗ** λειτουργία, κρατήστε πιεσμένο για 2 δευτερόλεπτα περίπου του πλήκτρου **E** και αυτή θα ενεργοποιηθεί Για 10 λεπτά μετά θα επανέλθει στην ταχύτητα που είχε από πριν ρυθμιστεί .

Όταν η λειτουργία είναι ενεργή το LED αναβασβήνει. Για να γίνει διακοπή της πριν από τα δέκα λεπτά πατήστε και πάλι το πλήκτρο **E**

Πιέζοντας το πλήκτρο **F** για 2 δευτερόλεπτα (με τον απορροφητήρα σβηστό) ενεργοποιείται η λειτουργία "clean air". Αυτή η λειτουργία ανάβει τον κινητήρα για 10 λεπτά κάθε ώρα στην πρώτη ταχύτητα. Μόλις ενεργοποιηθεί η λειτουργία, ο κινητήρας ξεκινά με την 1η ταχύτητα για 10 λεπτά κατά τη διάρκεια των οποίων θα πρέπει να αναβασβήνει το πλήκτρο **F** και το πλήκτρο **C**. Αφού περάσει αυτός ο χρόνος ο κινητήρας σβήνει και το φωτάκι του πλήκτρου **F** παραμένει αναμμένο σταθερό έως ότου μετά από άλλα 50 λεπτά ξαναξεκινά ο κινητήρας με την πρώτη ταχύτητα και τα φωτάκια **F** και **C** ξαναρχίζουν να αναβασβήνουν για 10 λεπτά και έτσι συνεχίζει. Πιέζοντας οποιοδήποτε πλήκτρο εκτός των φώτων του απορροφητήρα επιστρέφει στην κανονική του λειτουργία αμέσως (π.χ. εάν πιέσω το πλήκτρο **D** απενεργοποιείται η λειτουργία "clean air" και ο κινητήρας πηγαίνει αμέσως στην 2η ταχύτητα, πιέζοντας το πλήκτρο **B** η λειτουργία απενεργοποιείται)

(*) Η λειτουργία "TIMER ΑΥΤΟΜΑΤΟ ΣΒΗΣΙΜΟ" καθυστερεί το σταμάτημα του απορροφητήρα, που θα συνεχίσει να λειτουργεί στην τρέχουσα ταχύτητα κατά την ενεργοποίηση αυτής της λειτουργίας και για 15 λεπτά.

• **Κορεσμός φίλτρων συγκράτησης λίπους/ενεργού άνθρακα:**

- Όταν το κουμπί **A** αναβασβήνει με συχνότητα **2 sec.** τα φίλτρα **συγκράτησης λίπους** πρέπει να πλένονται.

- Όταν το κουμπί **A** αναβασβήνει με συχνότητα 0,5 sec. τα φίλτρα **άνθρακα** πρέπει να αντικαθίστανται.

Αφού επανατοποθετηθεί το καθαρό φίλτρο θα πρέπει να κάνετε reset στην ηλεκτρονική μνήμη πιέζοντας το κουμπί **A** για περίπου **5 sec**, μέχρι να σταματήσει να αναβασβήνει.

Εντολές: (Εικ.24A) Μηχανικοί _ (Εικ.24B) ellyptic

A = πλήκτρο ΦΩΤΙΣΜΟΣ

B = πλήκτρο ΟΦΦ ΤΑΧΥΤΗΤΑ

C = πλήκτρο ΠΡΩΤΗ ΤΑΧΥΤΗΤΑ

D = πλήκτρο ΔΕΥΤΕΡΗ ΤΑΧΥΤΗΤΑ

E = πλήκτρο ΤΡΙΤΗ ΤΑΧΥΤΗΤΑ

G= ένδειξη ΚΙΝΗΤΗΡΑ ΣΕ ΛΕΙΤΟΥΡΓΕΙΑ

ΔΕΝ ΑΝΑΛΑΜΒΑΝΟΥΜΕ ΕΥΘΥΝΕΣ ΓΙΑ ΤΥΧΩΝ ΖΗΜΙΕΣ ΠΟΥ ΠΡΟΚΑΛΟΥΝΤΑΙ ΑΠΟ ΤΗΝ ΜΗ ΤΗΡΗΣΗ ΤΩΝ ΣΥΜΒΟΥΛΩΝ ΠΟΥ ΠΡΟΑΝΑΦΕΡΘΗΚΑΝ.

ÁLTALÁNOS TUDNIVALÓK

Kérjük, figyelmesen olvassa el útmutatónkat, mert fontos tudnivalókat tartalmaz a készülék felszerelésére, használatára és karbantartására vonatkozóan. Őrizze meg, mert a későbbiekben is szüksége lehet rá. A berendezést úgy tervezték, hogy elszívással (a levegőnek a szabadba történő kivezetésével – 1B ábra), szűrővel (a levegő visszavezetésével – 1A ábra), vagy külső motorral (1C ábra) is használható.

BIZTONSÁGI FIGYELMEZTETÉSEK

1. Figyeljünk arra, hogyha nem villanással működő és ugyanannak a helyiségnek a légterét használó elszívó, kályha vagy tűzhely működik egyszere, akkor az elszívó esetleg kivonja a kályha vagy a tűzhely égéséhez szükséges levegőt. A helyiség negatív nyomása 4 Pa-nál nem lehet nagyobb (4x10⁻³ bar). A biztonságos működés érdekében gondoskodjunk a helyiség megfelelő levegőellátásáról. A szennyezett levegő külső térbe való elvezetésekor tartsuk be az ide vonatkozó előírásokat.

Mielőtt bekötné a modellt az elektromos hálózatra:

- ellenőrizze a (a készülék belsejében található) műszaki adatokat tartalmazó táblát, és győződjön meg arról, hogy az elektromos hálózat feszültsége és teljesítménye megfelelő-e a feltüntetett adatoknak, valamint, hogy a csatlakozó megfelelő-e. Amennyiben kétféle merülnek fel, forduljon szakképzett villanyszerelőhöz.
- Ha a tápkábel megsérült, ki kell cserélni egy másik kábelre, vagy a gyártónál vagy annak szervizközpontjában beszerezhető speciális egységre.

2. FIGYELEM !

Bizonyos körülmények között a háztartási gépek veszélyesek lehetnek.

A) Ne nyúljunk a működésben levő elszívóba!

B) A világító berendezés hosszantartó használata közben és azt közvetlen követően ne nyúljon a lámpákhoz és az azokhoz közeli részekhez.

C) Hosszabb használat után ne érintsük meg az elszívó izzóit!

D) Az elszívó alatt ne készítsünk flambírozott ételeket!

E) Kerüljük a magas láng használatát, mert rongálja a szűrőket és tűzveszélyes!

F) Ha zsírban, olajban sütünk, vigyázzunk, hogy ne hevítsük túl, mert lángra lobbanhat!

G) A készüléket nem felügyelet nélkül hagyott gyerekek, illetve működtetésre alkalmatlan személyek általi használatra tervezték.

H) Ne engedje a gyermekeknek, hogy játszanak a készülékkel!

I) A készüléket mindennemű karbantartás előtt áramtalanítsuk!

A készülék megfelel az elektromos és elektronikus berendezések hulladékairól (WEEE) szóló 2002/96/EK európai uniós irányelvnek. Gondoskodjon a termék megfelelő kezeléséről, annak működésből történő

kivonása után, a felhasználó hozzájárul a környezetre és az egészségre való káros hatások megelőzéséhez.

A terméken vagy a mellékelt dokumentáción feltüntetett



jelölés azt jelzi, hogy a termék nem kezelhető háztartási hulladékként, hanem a megfelelő begyűjtő állomásra kell vinni az elektromos és elektronikus berendezések újrahasznosítása érdekében.

Készülékétől a hulladékkezelésre vonatkozó helyi előírásoknak megfelelően váljon meg. A termékkel kezelésével, összegyűjtésével és újrahasznosításával kapcsolatos további információkért forduljon a megfelelő helyi irodához, a háztartási hulladékokat begyűjtő szolgáltathoz, vagy ahhoz az üzlethez, ahol a készüléket megvásárolta.

FELSZERELÉSI UTASÍTÁSOK

A beszerelést és az elektromos bekötést csak szakemberek végezhetik el.

• Elektromos bekötés

A termék kéteres kábelrel készült, vigyázzunk, hogy az egyik huzalt se kössük a földvezetékbe.

A hálózatra való bekötésnél vegyük figyelembe a huzalok színét:

BARNA = L fázis

KÉK = N nullafázis

Amennyiben a terméken nincs csatlakozó, szereljük rá egy, a feltüntetett műszaki adatoknak megfelelő szabályos villásdugót.

Amennyiben a terméken van csatlakozó, akkor az elszívót úgy kell felszerelni, hogy a csatlakozó elérhető helyen legyen.

Ha a készüléket közvetlenül kötjük a hálózatra, akkor iktassunk be a készülék és a hálózat közé egy legalább 3 mm-es, az áramerősségnek és az érvényes normáknak megfelelő kapcsolót.

- A főzőlap főzéshez használt edényeket tartó felülete és a konyhai elszívó alsó része között minimum 65 cm távolságnak kell lennie. Ha két vagy több elvezető csövet kell összeszerelnünk, akkor az alsó csövet illesszük a felső belsejébe. Az elszívó csövet ne vezessük olyan kéménybe, amelyben meleg levegő áramlik, vagy amely nem villanással működő berendezés égéstermékét vezet el. A szerelés megkönnyítéséhez az összeszerelés megkezdése előtt távolítsuk el a zsírszűrőt/zsírszűrőket (19 ábra).

Amennyiben a készüléket konyhai szagelszívóként szereli fel, gondoskodjon kéménynyílásról.

- Ajánlatos 150 mm átmérőjű levegőelvezető csövet használni. Az átmérőcsökkentés csökkenti a termék teljesítményét, és növeli a zajosságát.

• A halogénizzók cseréje (17.ábra).

A B halogénizzók cseréjéhez a megfelelő réseken keresztül megemelve vegye le a C üvegburát.

Cserélje ki az izzókat azonos típusúakra!
Figyelem! Ne fogja meg a lámpát csupasz kézzel!

Megjegyzés:

- E termék felszereléséhez tanácsos másik ember segítségét is igénybe venni.

- Konyhai elszívó beszerelése

- A kürtő felszerelése előtt bontsa ki a csomagolást, fogja meg a kémény **L** felső részét, és távolítsa el a kémény felső részét és a kémény **C** tartókengyelét összetartó **4 D** csavart (2A. ábra)!

- Vegye ki a készüléket a csomagolásból, és távolítsa el a **2 A** csavart, hogy szét tudja választani a felső részt az alsó résztől (2B. ábra).

- Helyezze a lyukasztó sablont a mennyezetre, ügyelve arra, hogy a nyíl ugyanazon az oldalon legyen, mint a készülék vezérlése (3. ábra).

Fúrjon 4 db $\varnothing 8$ -as lyukat a mennyezetbe, és csavarjon be 3 csavart, de ne húzza meg teljesen. Ügyeljen arra, hogy a sablonon **X**-szel jelölt lyukba ne tegyen csavart. (A csavarok és a tiplik a fal minőségének megfelelőek legyenek.)

Elszívó mód

- A **4 D** csavar segítségével illessze össze a kémény **C** tartókengyelét és a szerkezet **B** felső részét (4. ábra)!

Szűrő mód

- A **C** tartókengyelnek a szerkezet **B** felső részéhez való illesztése előtt kívülről befelé tolva tegye be, és a megfelelő rögzítőlyukak segítségével rögzítse az **E** deflektort (5. ábra)!

- Szűrő módban a légtérelőlemez a szerkezet felső részére van szerelve.

- A **4 D** csavar segítségével illessze össze a kémény **C** tartókengyelét és a szerkezet **B** felső részét (5. ábra)!

- Fogja meg a szerkezet felső részét **B** (6. ábra), és helyezze a 3 lyukkal a 3 nem teljesen becsavart csavarra. Kicsit forgassa el, hogy össze tudja illeszteni (6. ábra). A szerkezet felső részének **B** végleges rögzítéséhez csavarja be a negyedik **X** csavart, és húzza meg a másik 3 csavart.

Javasoljuk, hogy a megfelelő biztonsági lyukak segítségével további **4 D** csavarral rögzítse a kémény **C** tartókengyelét (7. ábra).

- Fogja meg a teleszkópos szerkezet alsó részét **C**, és helyezze a felső részre **B** (7. ábra).

Állítsa be, a (18. ábrán) feltüntetett adatok figyelembe vételével a kívánt magasságot, és rögzítse a készülékkel szolgáltatott **8 G** csavar segítségével (8. ábra)

- **Szagelszívó:** rögzítse a flexibilis csövet a kéménynyíláshoz (9. ábra).

- **Szűrő mód:** A 10. ábra szerint csatlakoztassa a flexibilis csövet az **M** deflektorhoz! Az aktív szén-szűrőket a kürtő belsejében elhelyezett elszívóegységre kell felszerelni (20. ábra).

Az aktív szén szűrőt a szagelszívó belsejében található elszívó berendezésre kell felszerelni.

- Lazítsa meg max. 3 mm-nyire a **2 O** csavart (11.A ábra). Helyezze be az elszívóegységet a szerkezet belsejébe, ügyelve arra, hogy az előzőleg kicsavarozott **O** csavarok akaszkodjanak bele a rögzítőlyukakba (11B. ábra)!

Csavarja be a **2** (készülékkel szolgáltatott) **N** csavart, és húzza meg a **2 O** csavart (11.C-D ábra).

- Fogja meg a kémény **L** felső részét, és a **4 D** csavar

segítségével a 12. ábra szerint rögzítse a kémény **C** tartókengyeléhez!

- **Szűrő módban**, miután a kéményt rögzítette a szerkezethez, a megfelelő rögzítőlyukak segítségével a 13. ábra szerint húzza ki a jobb és bal oldali **E** deflektorokat, hogy illeszkedjenek a cső levegőkimeneti rácsozatához!

- Rögzítse a levegő elvezető csövet **H** (nem tartozék) az összekötő karimára **F** (14. ábra).

- Fogja meg az **N** blokkot, és illessze a kémény felső részére, majd rögzítse határozottan a **4 Y** csavarral (15. ábra)!

- Elektromos csatlakoztatás

A csatlakoztatás előtt csavarozza ki a **4 A** csavart, nyissa ki a fedőket, és végezze el a kürtőtest és a motoregység közötti elektromos csatlakoztatásokat (16. ábra)!

HASZNÁLAT ÉS KARBANTARTÁS

• Mielőtt bármilyen étel főzésébe belekezdene, tanácsos bekapcsolni a készüléket. A szennyezett levegő teljes kiszellőztetése érdekében a főzés végét követően ajánlatos még 15 percig bekapcsolva hagyni az elszívót.

Az elszívó tökéletes működtetése megfelelő és folyamatos karbantartást igényel. Különös figyelmet kell fordítani a zsír- és az aktív szénzsűrőre.

• A zsírszűrő megkötő a levegőben lévő zsírszemcséket, melyek a használatától függően idővel eltömítik a készüléket.

A rácsla felfekvő akrilszűrőt akkor kell cserélni, ha a rácson keresztül látható írás szint vált, és a tinta szétterjed. Az új szűrőt úgy kell behelyezni, hogy a feliratot az elszívón kívülről, a rácson keresztül látni lehessen.

Amennyiben az akrilszűrőkön nincs felirat, vagy fémszűrőt, illetve alumíniumpanelt használ, a tűzveszély elkerülése érdekében legalább kéthavonta tisztítsa meg a szűrőket az alábbiak szerint:

- Vegye ki a szűrőt az elszívóból, és folyékony, semleges mosószerezes vízzel mossa le a szennyeződést!

- Öblítse le alaposan langyos vízzel, majd hagyja megszáradni!

A fémszűrők és/vagy alumíniumpanelek mosogatógépben is elmoshatók. Az alumíniumszűrők, illetve -panelek színe többszöri mosás után megváltozhat. Ez nem jogosít fel a termék esetleges visszacserélésére. A szűrőcseréje és -tisztításra vonatkozó utasítások be nem tartása akár a zsírszűrő kigyulladását is eredményezheti.

• Az aktív szén-szűrőt arra szolgál, hogy a környezetbe visszaforgatott levegőt megtisztítsa. A kürtő nem mosható és nem regenerálható, és legalább négyhavonta ki kell cserélni őket. Az aktív szén telítődése a készülék használatának gyakoriságától, az ételek fajtájától és a zsírszűrő tisztításának gyakoriságától függ.

• Rendszeresen távolítsa el a ventilátorra és a készülékre rakódott szennyeződést! Ehhez használjon denaturált szeszebe vagy folyékony, semleges mosószerezbe mártott, nem dörzshatású törőlőt!

• A világítóberendezést főzés közbeni használatra tervezték, és nem a konyha általános, huzamos idejű megvilágítására. A huzamos idejű használat lényegesen lecsökkenti az égők átlag élettartamát.

VEZÉRLÉS: (21.ábra)

A billentyű = Be- illetve kikapcsolja a világítást.

B billentyű = Be- illetve kikapcsolja a páraelszívót. A készülék az 1. sebességnél kapcsol be. Ha az elszívó be van kapcsolva, a kikapcsoláshoz 2 másodpercig tartása lenyomva a billentyűt. Ha az elszívó az első sebességre van állítva, nem szükséges a kikapcsoláshoz lenyomva tartani a billentyűt. Csökkenti a motor sebességét.

C kijelző = a motor kiválasztott sebességét valamint az időrelé bekapcsolását jelzi.

D billentyű= bekapcsolja az elszívót. Növeli a motor sebességét. Ha a billentyűt a 3. sebességben nyomja meg, 10 percre bekapcsolja az intenzív funkciót, ezután a készülék visszatér a funkció kiválasztását megelőző üzemi sebességre. A funkció működése alatt a display villog.

E billentyű= A Timer, az aktiválás pillanatában, időzíti a funkciókat 15 percre, miután a funkciók kikapcsoltak. A Timer kikapcsolható az **E** billentyű megnyomásával. Amikor a Timer funkció aktív, a kijelzőn a tizedesponznak villognia kell. Ha az intenzív sebesség működésben van, a Timert nem lehet aktiválni.

Az **E** billentyű 2 másodpercig tartó megnyomásával, ha a készülék ki van kapcsolva, aktiválódik a „**clean air**” funkció.

Ezzel bekapcsolódik a motor minden órában 10 percre első sebességre. Működés közben a kijelzőnek a perifériás részek forgó mozgását kell mutatnia.

Ennek az időnek az elteltével a motor kikapcsol és a kijelzőn meg kell jelennie a nem villogó „**C**” betűnek egészen addig, amíg újabb 50 perc múlva a motor további 10 percre újraindul stb.

• **A zsírszűrők/aktív szénzsűrők telítődése:**

- Amennyiben a **C** kijelzőn az aktuális sebességfokozat és az **F** betű villog felváltva (pl. 1 és **F**), a **zsírszűrőket** meg kell mosni.

- Amennyiben a **C** kijelzőn az aktuális sebességfokozat és az **A** betű villog felváltva (pl. 1 és **A**), a **szénzsűrőket** ki kell cserélni.

Miután visszahelyezte a tiszta szűrőt, az elektromos memória nullázásához nagyjából **öt másodpercre** tartsa lenyomva az **A** gombot, míg a **C** kijelzőn az **F**, vagy **A** jelzés villogása abba nem marad!

• **VEZÉRLÉS:** Elektronikus (22A.ábra):

A=VILÁGÍTÁS

B=OFF/ELSŐ SEBESSÉG

C=MÁSODIK SEBESSÉG

D=HARMADIK SEBESSÉG

E=LEÁLLÍTÁS AUTOMATIKUS KÉSLELTETÉSE 15 perccel (*)

F=SZÜRŐELTÖMÖDÉS KIJELZŐJÉNEK ÚJRAÁLLÍTÁSA

A zsírszűrőket ki kell mosni, amikor a “Szűrőeltömődés kijelzője” villog.

Amikor a jelző kigyullad, de nem villog, akkor a zsírszűrőket ki kell mosni és a szénzsűrőket ki kell cserélni (amennyiben a készülék a levegő visszaforgatásával üzemel).

Amikor elvégezte ezeket a műveleteket, a gomb megnyomásával ismét kapcsolja be a kijelzőt.

VEZÉRLÉS: (23.ábra) Fényvezérlés - (22B.ábra)

Elektronikus

A = VILÁGÍTÁS

B = OFF

C = ELSŐ SEBESSÉG

D = MÁSODIK SEBESSÉG

E = HARMADIK SEBESSÉG

F = LEÁLLÍTÁS AUTOMATIKUS KÉSLELTETÉSE 15 perccel (*)

• Amennyiben az Önök készüléke rendelkezik **INTENZÍV** sebesség funkcióval, tartsák körülbelül 2 másodpercig nyomva az **E** gombot. Ekkor 10 percre működéskébe lép ez a funkció, majd visszaáll az eredetileg beállított sebességre. Amikor a funkció működik a LED villog. Amennyiben 10 percnél előbb meg óhajtja szakítani, nyomja meg ismételten az **E** gombot.

Ha 2 másodpercig nyomva tartja (kikapcsolt szagelszívó mellett) az **F** gombot, működéskébe lép a “**clean air**” funkció. Ez a funkció óránként 10 percre bekapcsolja a motort egyes sebességen. Amint működéskébe hozta a funkciót, 10 percre beindul a motor egyes sebességen. Ez alatt az idő alatt az **F** és a **C** gomb együtt villog. 10 perc elteltével a motor kikapcsolódik, és az **F** gomb ledje folyamatos fénnel ég. 50 perccel később a motor ismételten be fog indulni az egyes sebességen és az **F** és **C** ledék ismételten villogni fognak 10 percig, stb. Amennyiben bármelyik gombot megnyomja (a világítás kivételével) a szagelszívó ismét visszatér normális működéséhez (pl. ha megnyomja a **D** gombot, kiiktatja a “**clean air**” funkciót és a motor nyomban kettes sebességen kezd működni; amennyiben megnyomja a **B** gombot kiiktatja ezt a funkciót)

(*) A “Leállítás automatikus késleltetése” megakadályozza az elszívó kikapcsolását és a búra a funkció bekapcsolásakor folyamatban levő üzems sebességen fog működni még 15 perccel.

• **A zsírszűrők/aktív szénzsűrők telítődése:**

- Amennyiben az **A** gomb két másodpercenként villog, a **zsírszűrőket** le kell mosni.

- Amennyiben az **A** gomb fél másodpercenként villog, a **szénzsűrőket** le kell cserélni.

Miután visszahelyezte a tiszta szűrőt, az elektromos memória nullázásához nagyjából **öt másodpercre** tartsa lenyomva az **A** gombot, míg az villogni nem kezd!

• **VEZÉRLÉS: 24A) Mechanikus _24B)** elliptikus

A = VILÁGÍTÁS

B = OFF

C = ELSŐ SEBESSÉG

D = MÁSODIK SEBESSÉG

E = HARMADIK SEBESSÉG

G = fényjel MOTOR BEKAPCSOLVA

A HASZNÁLATI UTASÍTÁS BE NEM TARTÁSÁBÓL EREDŐ KÁROKÉRT SEMMINEMŰ FELELŐSÉGET NEM VÁLLALUNK.

GENERELT

Les denne bruksanvisningen nøye. Her gis viktig informasjon angående sikker installering, bruk og vedlikehold av apparatet. Ta vare på bruksanvisningen for fremtidige behov. Apparatet er laget for å kunne brukes i avtrekksversjon (suge ut luft utenifra - Fig.1B), filterversjon (resirkulere luft innvendig - Fig.1A) eller versjon med ekstern motor (Fig.1C).

SIKKERHETS INFORMASJON

1. Vær forsiktig dersom en vifte med utvendig avløp benyttes i samme rom som en brenner eller en ovn som ikke går på elektrisk strøm, da viften trekker ut luften brennere eller ovnen trenger til forbrenningen. Det negative trykket i rommet må ikke overstige 4 Pa (4x10⁻⁵ bar). For sikker bruk må man derfor sørge for tilstrekkelig ventilasjon av lokalet. Avtrekket skal utføres i henhold til gjeldende forskrifter.

Før modellen kobles til det elektriske systemet:

- Kontroller typeskiltet (befinner seg inni apparatet) for å kontrollere at spenning og styrke er i samsvar med strømmettet og at forbindelseskontakten er egnet. Er du i tvil ta kontakt med en kvalifisert elektriker.


- Dersom strømledningen er ødelagt, må denne byttes ut med en kabel eller en spesialenhet som kan skaffes hos produsenten eller serviceavdelingen til produsenten.

2. ADVARSEL !

Husholdningsapparater kan være farlige i visse situasjoner.

- A) Ikke kontroller filtrene mens ventilatoren er i funksjon
- B) Ikke vær borti lysene og området rundt dem i løpet av og ikke etter lenger bruk av lysinstallasjonen.
- C) Berør ikke lyspærene når apparatet har vært i funksjon over lengre tid
- D) Flamber aldri mat under ventilatoren
- E) Unngå åpen flamme: det kan skade filtrene og føre til brann
- F) Ved frityrsteking må du være tilstede hele tiden og passe på at ikke oljen overopphetes og tar fyr
- G) Dette apparatet er ikke ment for bruk av små barn eller tilbakestående personer uten tilsyn.
- H) Små barn skal holdes under oppsikt for å sikre at de ikke leker med apparatet.
- I) Før det foretas noen form for vedlikehold på ventilatoren, må den frakobles strømmettet.

Dette apparatet er merket i samsvar med det europeiske direktivet EC/96/2002, "Waste Electrical and Electronic Equipment" (WEEE). Ved å forsikre seg om at dette produktet blir avsatt på korrekt måte vil brukeren bidra til å hindre potensielt negative effekter for miljø og helse.

Symbolet  på produktet, eller i den medfølgende dokumentasjonen viser til at dette produktet ikke må

behandles som husholdningsavfall, men må leveres inn til spesialinnsamling for elektriske og elektroniske produkter for resirkulering. Man må kvitte seg med apparatet slik lokale regler for avsetning og resirkulering tilsier. For nærmere informasjon om behandling, gjenvinning og resirkulering av dette produktet må man kontakte det lokale avfallsselskap, offentlig kontor med ansvar for søppelinnsamling eller butikken der produktet ble kjøpt

INSTALLASJONSVEILEDNING

Montering og elektriske koblinger må utføres av kvalifisert personale.

• Elektrisk tilkobling

Apparatet er fremstilt i klasse II, ingen leder skal derfor kobles til jord. Tilkobling til strømmettet utføres på følgende måte:

BRUN = L strømførende

BLÅ = N nulleleder

Hvis strømledningen er uten plugg, monteres en plugg av forskriftsmessig type, som svarer til strømstyrken som er oppgitt på typeskiltet. Dersom den er utstyrt med plugg, må ventilatoren monteres slik at pluggen er tilgjengelig. Ved direkte tilkobling til strømmettet, må det monteres en flerpolet bryter med en kontaktåpning på minst 3 mm mellom apparatet og strømmettet. Bryteren skal være tilpasset strømstyrken og i overensstemmelse med gjeldende normer.

- Avstanden fra støtteoverflaten hvor kokekarene står på kokeoverflaten og laveste punkt på kjøkkenheten må være minst 65 cm.

Dersom det benyttes en avtrekkskanal bestående av to eller flere deler, skal den øvre delen tres utenpå den nedre. Koble ikke ventilatoravtrekket til et rør der det passerer varmluft eller røyk fra apparatet som ikke går på strøm. Ta ut det/de fetthemmende filteret/filtrene (Fig.19) før du begynner med monteringen. Dette gjør det lettere å manøvrere apparatet.

I anledning montering av apparatet i avtrekksversjon, forbered på forhånd hullet for luftevakuering.

- Det anbefales at man bruker et lufttømmerør med diameter 150. Bruk av et reduksjonsrør kan forringe produktets ytelse og øke støyen.

• Utskifting av halogene lyspærer (Fig.17).

For å skifte ut de halogene lyspærene **B** ta av glasset **C** ved å trykke på hakkene.

Skifte ut med lyspærer av samme type.

Advarsel: Ikke ta på lyspærene med bare hender.

Merknad!

- For installasjon av dette produktet anbefaler vi hjelp av en annen person.

• Montering av hetten

- Før installasjon av avtrekket åpne emballasjen, ta ut den øvre dekkkanalen **L** og fjern de 4 skruene **D** som

fester den øvre dekkkanalen med festebøylen til dekkkanalen **C** (Fig. 2A).

- Ta strukturen ut av innpakningen og fjern de 2 skruene **A** for å separere den øverste delen fra den nederste (fig.2B).

- Sett hullmønsteret i riktig posisjon i taket og vær oppmerksom på at pilen peker i samme retning som kommandoene til apparatet (Fig.3).

Lag de 4 hullene Ø8 i taket og skru i 3 skruer uten å skru dem fullstendig fast. Vær oppmerksom på at du ikke må sette en skruer i huller merket med en **X** på modellen (skruene og ekspansjonspluggene må være egnet for veggtypen).

Avtrekksversjon

- Koble festebøylen for dekkkanalen **C** med den øvre delen **B** ved hjelp av de 4 skruene **D** (fig. 4).

Filterversjon

- Før festebøylen **C** kobles til den øvre delen **B** flytte luftfordeleren **E** ved hjelp av de egnede hullene (Fig. 5).

- I Filterversjonen er luftvenderen montert på den øvre delen.

- Koble festebøylen for dekkkanalen **C** med den øvre delen **B** ved hjelp av de 4 skruene **D** (fig. 5).

- Ta den øverste delen av strukturen **B** (fig.6) og sett den på de 3 skruene (som ikke er helt fastskrudd) i samsvar med de tre knapphullene. Gjør en liten rotasjon slik at den innpasses (fig.6).

Skrut til den fjerde skruen **X** og stram de 3 andre skruene for å blokkere definitivt den øvre delen av strukturen **B**. Vi anbefaler at festebøylen for dekkkanalen **C** festes med ytterligere 4 skruer **D** i de egnede sikkerhetshullene (fig. 7).

- Ta den nedre delen av den teleskopiske strukturen **C** og før den inn i den øvre delen **B** (fig.7).

Reguler høyden ved å bruke målene som er indikert (fig.18) og fest ved hjelp av de 8 skruene **G** som følger med (fig.8).

- **Versjon avtrekk:** fest det fleksible røret til hullet for luftevakuering som er gjort i stand forhånd (fig.9).

- **Filterversjon:** Koble det bøyelige røret til luftfordeleren **M** som angitt i (Fig. 10), filterne med aktivt kull må settes opp på avtrekksgruppen som befinner seg inne i avtrekket (Fig. 20).

- Skru av de 2 skruene **O** til max 3 mm (fig.11A).

Før avtrekksgruppen inn i strukturen, kontrollere at skruene **O** som ble løsnet tidligere hekter seg fast i hullene som angitt i (fig. 11 **B**).

Skrut til de 2 skruene **N** (medfølger) og trekk de 2 skruene **O** (fig.11C-D).

- Ta den øvre dekkkanalen **L** og fest den til dekkkanalens festebøyle **C** ved hjelp av de 4 skruene **D** (Fig. 12).

- For **filterversjonen**, når dekkkanalen er festet til strukturen, flytte de høye og venstre luftfordelerene utover, til gitteret på røret for utslipp av luft, ved hjelp av de egnede hullene (Fig. 13).

- Fest røret for luftevakuering **H** (medfølger ikke) til Forbindelsesflensen **F** (Fig.14).

- Ta blokken **N** og feste den sammen med den øvre dekkkanalen og fest den godt ved hjelp av de 4 skruene **Y** (Fig. 15).

Elektrisk tilkøpling

Før tilkoblingen utføres, fjern de 4 skruene **A**, åpne lokket og utføre de elektriske tilkoblingene mellom viftehuset og motorgruppen (Fig. 16)

BRUK OG VEDLIKEHOLD

• Det anbefales å sette i gang apparatet før matlagingen starter. Det anbefales også å la apparatet virke i 15 minutter etter at matlagingen er avsluttet, slik at all matos og lukt fjernes fullstendig.

For at viften til enhver tid skal virke tilfredsstillende, er det viktig at man utfører vedlikeholdet regelmessig. Spesielt gjelder dette fettfilteret og kullfilteret.

• Fettfilterens oppgave er å fjerne fettpartiklene i luften. Filterne vil derfor med tiden bli skitne, avhengig av hvor ofte apparatet brukes.

Akrylfilteret, som befinner seg på gitteret skal skiftes ut når teksten, som synes gjennom gitteret, skifter farge og blekket flyter utover. Det nye filteret må settes på slik at teksten er synlig gjennom gitteret fra viftens utside.

I tilfelle det ikke finnes tekst på akrylfilterene eller det finnes metalliske filtre eller aluminiumspaneler, skal filterne vaskes minst annenhver måned for å unngå brannfare. For rengjøring, gå frem som følger:

- Ta filterne ut av viften og legg dem i bløt i vann tilsatt et flytende, nøytralt rengjøringsmiddel. Vent til fett har løst seg opp.

- Skyll omhyggelig med lunket vann og la filterne tørke. Metallfilterne og/eller aluminiumspanelene kan også vaskes i oppvaskmaskin. Det kan hende aluminiumsplatene får en litt annen farge etter at de har blitt vasket noen ganger. Dette gir imidlertid ikke rett til en eventuell utskiftning i garantitiden.

I tilfelle anvisningene for utskifting og rengjøring ikke følges kan det oppstå fare for brann i fettfilterne.

• Kullfilterene renser luften for den føres ut i rommet igjen. Filterne kan ikke vaskes eller brukes om igjen, og må skiftes ut minst hver 4. måned. Hvor raskt kullfilterne blir skitne avhenger av hvor ofte viften brukes, hva slags mat som tilberedes og hvor ofte fettfilteret rengjøres

• Fjern regelmessig alt fettbelegg på viften og andre overflater ved hjelp av en klut fuktet med sprit eller et nøytralt, flytende rengjøringsmiddel som ikke lager riper.

• Belysningsanlegget er prosjektert for bruk under matlaging og ikke for lengre opplysning av rommet. Forlenget bruk av belysningen minsker varigheten av lyspærene betraktelig.

KONTROLLER: (Fig.21)

Tast A = lys på/av

Tast B = ventilator på/av. Apparatet starter på 1. hastighet. Dersom ventilatoren er på, trykker man 2 sekund på knappen for å slå den av. Dersom ventilatoren befinner seg på 1. hastighet er det ikke nødvendig å holde knappen inne for å slå den av. Motorhastighet reduseres.

Display C = indikerer den valgte motorhastigheten og aktivering av tidsur.

Tast D = starter ventilatoren. Øker motorens hastighet. Ved å trykke på tasten fra 3. hastighet vil intensiv-funksjonen aktiveres i 10 minutter. Deretter vil apparatet gjenoppta den normale hastigheten det gikk på da funksjonen ble aktivert. Displayet vil blinke så lenge funksjonen er aktivert.

Tast E = Tidsbryteren bryter av funksjonene etter en bestemt tid, etter at denne er blitt aktrivert vil funksjonene slå seg av etter 15 minutter. Tidsbryteren vil bli deaktivert ved å trykke en gang til på tast **E**. Når tidsbryterfunksjonen er aktiv vil man på skjermen se

desimalpunktet som blinker. Dersom intensiv hastighet er på kan ikke tidsavbrudd aktiveres.

Ved å trykke på tast **E** i 2 sekunder med avslått apparat vil funksjonen "**clean air**" aktiveres. Denne funksjonen slår på motoren i 10 minutter hver time, ved laveste hastighet. Under bruk må skjermen vise rotasjonsbevegelsen til de ytre segmentene. Når denne tiden er gått, vil motoren slå seg av og man vil på skjermen kunne se bokstaven "**C**" lyse, helt til motoren starter opp igjen etter 50 minutter for å være i virksomhet 10 minutter til.

• **Saturazione filtri Antigraasso/Carbone attivo:**

- Når man skjermen **C** ser at bokstaven **F** blinker, med vekslende hastighet, (f.eks.1 og **F**) må fettfiltrene rengjøres.

- Når man skjermen **C** ser at bokstaven **A** blinker, med vekslende hastighet, (f.eks.1 og **A**) må karbonfiltrene skiftes.

Etter at det rene filteret er plassert riktig, skal det elektroniske minnet tilbakestilles ved å trykke på knappen **A** i ca. **5 sekunder**, inntil indikasjonen **F** eller **A** som vises på displayet **C** slutter å blinke.

• **Kontroller:** Elektroniske (fig. 22A):

A = tast for BELYSNING

B = tast for OFF (AV) / FØRSTE HASTIGHET

C = tast for ANNEN HASTIGHET

D = tast for TREDJE HASTIGHET

E = tast for TIDSUR AUTOMATISK STOPP 15 minutter (*)

F = tast for TILBAKESTILLING AV INDIKATORLAMPE FOR SKITNE FILTRE

Når indikatorlampen for "skitne filtre" blinker, må fettfiltrene vaskes.

Når indikatorlampen lyser kontinuerlig uten å blinke, må fettfiltrene vaskes og kullfiltrene skiftes ut (på versjoner med resirkulering av luften).

Etter at denne operasjonen er utført, trykker man på tasten for å tilbakestille den.

KONTROLLER: (Fig.23) **MED LYS** - (Fig.22B) **Elektroniske** benyttes følgende symboler:

A = tast for BELYSNING

B = tast for OFF (AV)

C = tast for FØRSTE HASTIGHET

D = tast for ANNEN HASTIGHET

E = tast for TREDJE HASTIGHET

F = tast TIDSURE AUTOMATISK STOPP 15 minutter (*)

Hvis ditt apparat er utstyrt med hastighetsfunksjonen **INTENSIV**, hold inne tasten **E** i ca. 2 sekunder og denne funksjonen aktiveres i 10 minutter og deretter går den tilbake til den forhåndsinnstilte hastigheten.

Når funksjonen er aktiv blinker LED. For å avbryte før det har gått 10 minutter trykk på nytt på tasten **E**.

Ved å trykke på tasten **F** i 2 sekunder (når viften er avslått), aktiveres funksjonen "**clean air**". Denne funksjonen gjør at motoren startes i 10 minutter hver time på laveste hastighet. Med en gang funksjonen aktiveres, starter motoren på laveste hastighet og varer i 10 minutter. I disse 10 minuttene blinker både tasten **F** og tasten **C**. Etter disse 10 minuttene stopper motoren og lyset til tasten **F** forblir påslått inntil motoren starter igjen etter

50 minutter. Da begynner lysene til **F** og **C** å blinke igjen i 10 minutter osv. Ved å trykke på hvilken som helst tast på viften (ikke tastene tilhørende lysene), går viften tilbake til sin normale funksjon(f.eks. hvis du trykker på tasten **D** stanses funksjonen "**clean air**" og motoren startes øyeblikkelig på hastighetsnivå 2; ved å trykke på tasten **B** stanses funksjonen).

(*) Med funksjonen "tidsur automatisk stopp" utsettes stans av ventilatoren, som vil fortsette å gå i 15 minutter på samme hastighet som da funksjonen ble aktivert.

• **Overmetning av aktivt-karbonfilteret/avfettingsfilteret:**

- Når tasten **A** blinker med en frekvens på **2 sek.**, er det nødvendig å gjøre rent **avfettingsfiltrene**.

- Når tasten **A** blinker med en frekvens på **0,5 sek.**, er det nødvendig å bytte ut **karbonfiltrene**.

Deretter settes det rene filteret tilbake på plass, og man stiller så tilbake minnet ved å trykke på tast **A** i ca **5 sekunder**, helt til det slutter å blinke.

KONTROLLER:(Fig.24A) **MEKANISKE** (Fig.24B) **ELLIPSIS**

benyttes følgende symboler:

A = tast for BELYSNING

B = tast for OFF (AV)

C = tast for FØRSTE HASTIGHET

D = tast for ANNEN HASTIGHET

E = tast for TREDJE HASTIGHET

G = kontrollampe for MOTOR I FUNKSJON

PRODUSENTEN FRASKRIVER SEG ETHVERT ANSVAR FOR SKADER SOM SKYLDES AT OVENNEVNTRE RETNINGSLINJER IKKE ER BLITT FULGT

INFORMACJE OGÓLNE

Należy zapoznać się dokładnie z niniejszym tekstem, zawierającym wskazówki, dotyczące bezpieczeństwa przy instalacji, eksploatacji i konserwacji okapu kuchennego. Należy zachować niniejsze instrukcje także dla późniejszych konsultacji. Urządzenie zostało zaprojektowane w wersji zasysającej (odprowadzanie powietrza na zewnątrz – Ryc.1B), filtrującej (recykulacja powietrza wewnątrz – Ryc.1A) lub z silnikiem zewnętrzny (Ryc.1C).

UWAGI O BEZPIECZEŃSTWIE

1. Nie należy używać jednocześnie okapu kuchennego i paleniska lub kominka zależnych od powietrza w pomieszczeniu i niezasilanych energią elektryczną, ponieważ okap zużywa powietrze potrzebne do ich spalania. Ciśnienie ujemne w pomieszczeniu nie powinno przekraczać 4 Pa (4×10^{-5} bar). Należy więc zadbać o prawidłową wentylację w pomieszczeniu, konieczną dla bezpiecznego funkcjonowania urządzenia. Przy odprowadzaniu dymu na zewnątrz, należy przestrzegać norm obowiązujących w waszym kraju.

Przed podłączeniem modelu do sieci elektrycznej:

- skontrolować tabliczkę znamionową (znajdującą się wewnątrz urządzenia) aby upewnić się, że napięcie i moc są odpowiednie dla danej sieci i, że gniazdo wtykowe połączenia jest odpowiednie. W przypadku wątpliwości zwrócić się do wykwalifikowanego elektryka.

- Jeśli przewód zasilana jest uszkodzony powinien zostać wymieniony na przewód lub specjalny zespół dostępny u producenta lub u jego obsługi technicznej.


2. UWAGA !

Elektryczny sprzęt gospodarstwa domowego w niektórych okolicznościach może być niebezpieczny.

- A) Nie kontrolować filtrów przy okapie funkcjonującym**
- B) Nie dotykać lamp i ich bliskiego obszaru podczas i bezpośrednio po dłuższym użytkowaniu urządzenia oświetlającego.**
- C) Nie dotykać żarówek po dłuższym funkcjonowaniu urządzenia**
- D) Nie wolno gotować potraw na otwartym ogniu**
- E) Nie stosować otwartego ognia, ponieważ może uszkodzić filtry i spowodować pożar**
- F) Postępować ostrożnie przy smażeniu, aby przegrzany olej nie zapalił się**
- G) Urządzenie nie zostało stworzone do użytkowania przez dzieci lub osoby niesprawne bez nadzoru osób dorosłych.**
- H) Uważać, aby dzieci nie bawiły się urządzeniem.**
- I) Przed przystąpieniem do jakiegokolwiek czynności związanej z konserwacją, wyłączyć okap z sieci elektrycznej.**

Niniejsze urządzenie oznaczone jest zgodnie z dyrektywą europejską 2002/96/EC, Waste Electrical and Electronic Equipment (WEEE). Upewniwszy się, że niniejszy produkt zostanie zutyliczowany we właściwy sposób,

użytkownik przyczynia się do ochrony przed potencjalnymi konsekwencjami negatywnymi dla środowiska i zdrowia.

Symbol  podany na produkcie lub na dokumentacji towarzyszącej mu wskazuje, że produktu ten nie powinien być traktowany jako odpad domowy, lecz powinien być przekazany w stosownym punkcie zbiórki w celu odzyskania urządzeń elektrycznych i elektronicznych. Pozbywać się go zgodnie z miejscowymi normami w zakresie utylizacji odpadów. Dla uzyskania dodatkowych informacji na temat traktowania, odzyskiwania i recyklingu tego produktu, należy skontaktować się z odpowiednim lokalnym biurem, służbą odpadów domowych lub ze sklepem, w którym produkt został zakupiony.

INSTRUKCJE DO INSTALACJI

Czynności montażu i podłączenia elektrycznego powinny być dokonane przez wyspecjalizowany personel.

• Podłączenie elektryczne

Urządzenie skonstruowane jest według klasy II, dlatego przewody nie muszą być uziemione.

Podłączenie do sieci elektrycznej powinno być przeprowadzone następująco:

BRAZOWY = L linia

BLĘKITNY = N zerowy

Jeżeli przewód nie posiada wtyczki, zamontować wtyczkę, dostosowaną do obciążenia instalacji podanego na tabliczce znamionowej. Jeżeli okap posiada wtyczkę, to należy zamontować go tak, aby dostęp do wtyczki był łatwy. Przy bezpośrednim podłączeniu do sieci elektrycznej, między urządzeniem i siecią należy umieścić wyłącznik wielobiegunowy, ze stykami w odległości przynajmniej 3 mm, przystosowany do obciążenia i zgodny z obowiązującymi normami.

• Minimalna odległość między płaszczyzną nośną naczyń urządzenia kuchennego i najniższą częścią okapu kuchennego powinna wynosić przynajmniej 65 cm.

Przy zastosowaniu rury łączącej składającej się z dwóch lub kilku części, część górna rury musi znajdować się wewnątrz części dolnej. Nie należy łączyć przewodu wyciągowego okapu z przewodem, w którym krąży gorące powietrze lub z przewodem przeznaczonym do odprowadzania dymu z urządzeń zasilanych energią inną niż energia elektryczna. Przed przystąpieniem do montażu, należy wyłączyć filtr (Ryc.18) w celu łatwiejszego manipulowania urządzeniem.

W przypadku montażu urządzenia w wersji ssącej przygotować otwór odprowadzenia powietrza.

• Sugeruje się, aby używać przewodu o średnicy 150 do odprowadzania powietrza. Używanie przewężenia może zmniejszyć osiągi produktu i zwiększyć hałas.

• Wymiana lamp halogenowych (Rys.17).

Aby wymienić lampy halogenowe **B** ściągnąć szkiełko **C** wykorzystując do tego odpowiednie otwory. Wymień lampy na takie same.

Uwaga: Nie dotykać lampy gołą ręką.

Uwaga:

- Przy instalowaniu tego produktu zaleca się skorzystanie z pomocy drugiej osoby.

• Montaż okapu

- Przed dokonaniem instalacji okapu otworzyć opakowanie wyjąć górny kominek **L** i zdjąć 4 śruby **D**, które łączą kominek górny z listwą mocującą kominek **C** (Rys. 2A).

- Wyjąć strukturę z opakowania i zdjąć 2 śruby **A** aby oddzielić część górną od części dolnej (fig.2B).

- Umieścić wzornik wiercenia na suficie zwracając uwagę aby strzałka znajdowała się po tej samej stronie co sterowanie urządzenia (Fig.3).

Dokonać 4 otworów R8 w suficie i wkręcić 3 śruby bez dokręcania ich do końca i uważać aby nie wkręcić śruby do otworu oznaczonego literą **X** na wzorniku wiercenia (śruby i kołki rozpierające powinny być odpowiednie dla rodzaju ściany).

Wersja z zasysaniem:

- Połączyć listwę mocującą kominek **C** z konstrukcją górną **B** przy pomocy 4 śrub **D** (Rys. 4).

Wersja z filtrem:

- Przed połączeniem listwy mocującej **C** z konstrukcją górną **B** przesunąć ku środkowi deflektor **E** posługując się odpowiednimi otworami (Rys. 5).

- W wersji z zasysaniem deflektor powietrza zamontowany jest na górnej konstrukcji.

- Połączyć listwę mocującą kominek **C** z konstrukcją górną **B** przy pomocy 4 śrub **D** (Rys. 5).

- Wziąć górną część struktury **B** (fig.6) i ulokować ją na 3 nie do końca dokręconych śrubach w miejscu 3 odpowiadających otworów.

Dokonać niewielkiej rotacji w celu mocnego osadzenia (fig.6)

Wkręcić czwartą śrubę **X** i dokręcić pozostałe 3 śruby aby dokonać definitywnej blokady części górnej struktury **B**.

Zalecamy zamocowanie listwy mocującej kominek **C** następnymi 4 śrubami **D** w odpowiednich otworach bezpieczeństwa (Rys. 7).

- Wziąć dolną część struktury teleskopowej **C** i nałożyć ją na część górną **B** (fig.7).

Wyregulować żądaną wysokość mając na względzie wysokości wskazane na (fig.17) i zablokować daną wysokość używając 8 dostarczonych śrub **G** (fig.8).

- **Wersja ssąca:** umocować giętką rurę do przygotowanego otworu odprowadzającego powietrze (fig. 9).

- **Wersja z filtrem:** połączyć giętki przewód rurowy z deflektorem **M** jak wskazano na (Rys.10), filtry z aktywnym węglem powinny być umieszczone na zespole zasysającym znajdującym się wewnątrz okapu (Rys.19)

- Odkręcić o max 3 mm 2 śruby **O** (Fig.11A).

Założyć zespół zasysający wewnątrz konstrukcji uważając, aby śruby **O** uprzednio odkręcone, znalazły się w otworach, jak to wskazano na (rys. 11B).

Wkręcić 2 śruby **N** (dostarczone) i dokręcić 2 śruby **O** (Fig.11C-D).

- Wziąć kominek górny **L** i zamocować go do listwy mocowania kominka **C** przy pomocy 4 śrub (Rys. 12).

- W wersji z filtrem po zamocowaniu kominka do konstrukcji przesunąć na zewnątrz deflektory **Pr** oraz **Le** **E** ustawiając je w pobliżu krątek wylotu powietrza z przewodu posługując się w tym celu odpowiednimi otworami (Rys. 13)

- Umocować rurę odprowadzającą powietrze **H** (nie

dostarczona) na kolnierzu złącza **F** (Fig.14).

- Wziąć blok **N** i połączyć go z górnym kominkiem mocując ostatecznie 4 śrubami **Y** (Rys. 15)

- Podłączanie elektryczne

Przed dokonaniem podłączenia zdjąć 4 śruby **A**, otworzyć pokrywę i połączyć przewody elektryczne pomiędzy korpusem okapu a zespołem silnika (Rys. 16).

EKSPLOATACJA I KONSERWACJA

• Zaleca się uruchomienie urządzenia przed przystąpieniem

do gotowania potrawy. Zaleca się pozostawienie działającego urządzenia przez około 15 minut po zakończeniu gotowania potraw w celu całkowitego usunięcia nieświeżego powietrza.

Prawidłowe działanie okapu uwarunkowane jest właściwą i stałą konserwacją; szczególną uwagę należy zwrócić na filtr przeciw tłuszczowy oraz na filtr z węgla aktywnego.

• Filtr przeciw tłuszczowy ma za zadanie zatrzymywanie cząstek tłuszczu zawieszonych w powietrzu, dlatego narażony jest na zatkanie w czasie zależnym od trwania użytkowania urządzenia.

Filtr akrylowy, który ułożony jest na kratce wymienił należy wówczas, gdy napisy widoczne poprzez kratkę zaczną zmieniać kolor a tusz ulegnie zamazaniu; nowy filtr powinien być założony w taki sposób, aby napisy były widoczne przez kratkę od zewnątrz okapu.

W przypadku gdy filtry akrylowe nie posiadają napisów lub gdy obecne są filtry metalowe lub panel aluminiowy, dla zapobieżenia zagrożenia ewentualnym pożarem najwyższej raz na 2 miesiące koniecznym jest umycie filtrów przy zastosowaniu następujących wskazówek:

- zdjąć filtr z kratki i umyć go w roztworze wody i płynnego detergentu obojętnego usuwając zabrudzenia

- Splukać obficie letnią wodą i pozostawić do wyschnięcia.

Filtry metalowe i/lub panele aluminiowe mogą być myte także w zmywarkach do naczyń. Po kilku umyciach, jeśli filtry wykonane są z aluminium lub występuje aluminiowy panel można zauważyć przebarwienia kolorów. Fakt ten nie daje prawa do domagania się ich ewentualnej wymiany.

W przypadku niedochowania zaleceń wymiany i mycia może pojawić się zagrożenie pożarem filtrów przeciw tłuszczowych.

• Filtry z węgla aktywnego służą do oczyszczania powietrza wydalanego do otoczenia. Filtry nadają się do mycia lub regeneracji i powinny być wymieniane najdalej co cztery miesiące. Nasycenie węgla aktywnego zależne jest od długości czasu użytkowania urządzenia, od rodzaju kuchenki oraz od regularności, z jaką wykonywane jest czyszczenie filtra przeciw tłuszczowego.

• Czyścić regularnie wszystkie osady na wentylatorze oraz na pozostałych powierzchniach posługując się szmatką zwilżoną denaturatem lub nieściernymi, neutralnymi, płynami czyszczącymi.

• Instalacja oświetlenia zaprojektowana jest do użytkowania podczas gotowania, a nie do długotrwałego użycia jako oświetlenie główne pomieszczenia. Przedłużone użytkowanie oświetlenia zmniejsza znacząco średnią trwałość żarówek.

WYŚWIETLACZ: (Rys.21)

Przycisk A = przycisk włączający / wyłączający oświetlenie

Przycisk B = przycisk włączający / wyłączający urządzenie. Okap włączy się przy 1 prędkości. Przy uruchomieniu włączonym, naciskając przycisk przez 2 sekundy, nastąpi wyłączenie okapu. Jeżeli urządzenie pracuje przy pierwszej prędkości, aby wyłączyć okap, nie jest konieczne naciśnięcie przycisku. Silnik będzie pracował przy zmniejszonych obrotach.

Wyświetlacz C = wskazuje wybraną prędkość i informuje, czy został włączony licznik czasu.

Przycisk D = uruchamia okap. Naciskając taki przycisk nastąpi wzrost prędkości. Naciskając przycisk urządzenie z trzeciej prędkości przejdzie w intensywny tryb pracy, który będzie trwał ok. 10 sekund, po czym wróci do funkcjonowania przy wybranej poprzednio prędkości. W czasie uruchomienia takiej funkcji, wyświetlacz zapali się światłem migającym.

Przycisk E = II Timer reguluje czasowo funkcje, w chwili włączenia, przez 15 minut po ich wyłączeniu. II Timer włącza się ponownie wciśnięciem przycisku E. Kiedy funkcja Timer jest włączona to na wyświetlaczu dziesiętna pozycja ma migać. Jeżeli włączona jest prędkość intensywna wówczas Timer nie można włączyć.

Wciśnięciem przycisku E na 2 sekundy, gdy urządzenie jest wyłączone, włącza się funkcję „clean air”. Włączy się wówczas silnik co godzinę na 10 minut przy pierwszej prędkości. Podczas funkcjonowania obrotowy ruch peryferyjnych segmentów. Po tym czasie silnik wyłączy się i na wyświetlaczu ukaże się litera „C” świecąca się w sposób ciągły przez następne 50 minut, po czasie którym silnik włączy się i tak dalej.

• **Nasylenie filtrów przeciwłuszczowych/ z węgla aktywnego:**

- Kiedy wyświetlacz C miga zmieniając prędkość pracy na literę F (es.1 e F) filtry przeciwłuszczowe mają być umyte.

- Kiedy wyświetlacz C miga zmieniając prędkość pracy na literę A (es.1 e A) filtry węglane mają być wymienione. Po umieszczeniu czystego filtra należy wyzerować elektroniczną pamięć naciśnięciem przycisku A na około 5 sekund aż do momentu, kiedy sygnalizator świetlny F lub A na wyświetlaczu C przestanie migać.

• **Układ sterowania:** Stery elektroniczne (RYS.22A)

A= przycisk OŚWIETLENIE

B= przycisk WŁĄCZENIE/PIERWSZA PRĘDKOŚĆ

C= przycisk DRUGA PRĘDKOŚĆ

D= przycisk TRZECIA PRĘDKOŚĆ

E=przycisk REGULATOR CZASOWY AUTOMATYCZNEGO WYŁĄCZENIA po 15 minutach (*)

F=przycisk ZEROWANIE WSKAZNIKA ZANIECZYSZCZENIA FILTRÓW

Jeżeli wskaźnik „zanieczyszczenia filtrów” miga, oznacza to, że należy wyczyścić filtry tłuszczu. Jeżeli wskaźnik zapali się lecz nie miga, oznacza to, że należy wyczyścić filtry tłuszczu i wymienić filtry węglowe (w wersji jako pochłaniacz). Po przeprowadzeniu takich operacji, należy nacisnąć przycisk „c”, aby wyzerować wskaźnik.

• **Układ sterowania:** (Rys.23) Stery świetlne - (Rys.22B)

Stery elektroniczne _znaczenie symboli jest następujące.

A = przycisk OŚWIETLENIE

B = przycisk WŁĄCZENIE

C = przycisk PIERWSZA PRĘDKOŚĆ

D = przycisk DRUGA PRĘDKOŚĆ

E = przycisk TRZECIA PRĘDKOŚĆ

F=przycisk REGULATOR CZASOWY AUTOMATYCZNEGO WYŁĄCZENIA po 15 minutach (*)

Jeżeli Wasze urządzenie jest zaopatrzone w funkcję prędkości **INTENSYWNEJ**, należy przyciskać przez około 2 sekundy przycisk E i ta funkcja się włączy przez 10 minut po czym powróci do poprzednio ustawionej prędkości.

Jeżeli funkcja jest aktywna dioda LED miga. Aby ją wyłączyć przed upływem 10 minut przycisnąć ponownie klawisz E

Przyciskając przycisk F przez 2 sekundy (przy wyłączonym okapie) włącza się funkcja „clean air”. Ta funkcja powoduje włączenie silnika przez 10 minut co godzinę na pierwszej prędkości. Jak tylko ta funkcja jest włączona silnik włącza się na 1° prędkość na okres 10 minut podczas tych 10 minut powinny migać jednocześnie przycisk F i przycisk C. Po upływie tego czasu silnik się wyłącza i LED przycisku F świeci się stałym światłem aż do momentu gdy po upływie następnych 50 minut ponownie włącza się silnik na pierwszą prędkość i LED F i C ponownie migają przez 10 minut i dalej w ten sam sposób. Przyciskając jakikolwiek przycisk za wyjątkiem światła okapu silnik powraca natychmiast do normalnego funkcjonowania (np. jeżeli przyciska się przycisk D wyłącza się funkcja „clean air” i silnik przechodzi od razu na 2° prędkość; przyciskając przycisk B funkcja się wyłącza)

(*) Funkcja „regulator czasowy wyłączenia automatycznego” opóźni wyłączenie okapu, który będzie funkcjonował przez 15 minut wg regulacji prędkości, jaką posiadał w momencie włączenia takiej funkcji.

• **Nasylenie filtrów przeciwłuszczowych/ z węgla aktywnego:**

- Kiedy przycisk A pulsuje z częstotliwością 2 sec. Filtry przeciwłuszczowe wymagają przemycia.

- Kiedy przycisk A pulsuje z częstotliwością 0,5 sec. Filtry węglowe wymagają wymiany.

Po ponownym założeniu czystego filtra należy zresetować pamięć elektroniczną wduszając przycisk A przez około 5 sec. aż ustanie pulsowanie.

• **Układ sterowania:** Stery mechaniczne (Rys.24A)

ELIPTIC (Rys.24A) znaczenie symboli jest następujące:

A = przycisk OŚWIETLENIE

B = przycisk WŁĄCZENIE

C = przycisk PIERWSZA PRĘDKOŚĆ

D = przycisk DRUGA PRĘDKOŚĆ

E = przycisk TRZECIA PRĘDKOŚĆ

G = wskaźnik SILNIK FUNKCJONUJĄCY

DOSTAWCA UCHYŁA SIĘ OD WSZELKIEJ ODPOWIEDZIALNOŚCI ZA EWENTUALNE USTERKI, SPOWODOWANE NIEPRZESTRZEGANIEM WYŻEJ WYMENIONYCH WSKAZÓWEK.

DESCRIERE GENERALĂ

Citiți cu atenție instrucțiunile de siguranță, utilizare și întreținere cuprinse în acest manual. Păstrați cu grijă manualul de utilizare; pe viitor vă poate folosi. Acest aparat a fost proiectat în trei variante: aspirantă (cu evacuarea aerului la exterior, vezi Fig.1B), filtrantă (recirculația aerului în interior, vezi Fig.1A) sau cu un motor extern (vezi Fig.1C).

INSTRUCȚIUNI DE SIGURANȚĂ

1. Dacă dispuneți de o centrală termică sau de o altă sursă de încălzire care folosește, pentru combustie, aerul din încăpere, aveți grijă să nu funcționeze împreună cu hota, deoarece aceasta absoarbe aerul. Presiunea negativă din încăpere nu trebuie să depășească 4 pascali (4 x 10⁻⁵ bari). Pentru a garanta o funcționare corectă, asigurați-vă că ventilația din încăpere este adecvată. În ceea ce privește evacuarea aerului în mediul înconjurător, respectați normele naționale în vigoare.

Înainte de conectarea modelului la rețeaua electrică:

- controlați plăcuța cu instrucțiile (pusă în interiorul aparatului) pentru a vă asigura că tensiunea și energia să fie corespunzătoare celei de la rețea și priza să fie potrivită. Dacă aveți nelămuriri întrebați pe un electricist calificat.

- În cazul în care cablul este deteriorat, acesta trebuie să fie înlocuit cu un cablu (sau cu un ansamblu) special; pentru aceasta, apălați la fabricant sau la serviciul de asistență tehnică.


2. ATENȚIE!

În anumite circumstanțe aparatele electrocasnice pot fi periculoase.

- A) Nu verificați filtrele când hota este în funcțiune.
- B) Nu atingeți becurile și zonele adiacente, în timp și imediat după folosirea îndelungată al instalației de iluminatie
- C) Nu atingeți nici un bec după folosirea îndelungată a acesteia.
- D) Nu frigeți alimentele direct pe flacără, dacă hota este în funcțiune.
- E) Nu lăsați aragazul aprins: flacără poate deteriora filtrele și poate provoca un incendiu.
- F) Dacă prăjiți în ulei, nu vă îndepărtați de aragaz: uleiul poate lua foc.
- G) Aparatul nu a fost fabricat pentru a fi utilizat de copii sau persoane handicapate, fără supraveghere
- H) Evitați folosirea aparatului de către copii; nu este o jucărie!
- I) Înainte de a executa operațiile de întreținere, scoateți hota din priză.

Acest aparat este contrasemnat în conformitate cu Directiva Europeană 2002/96/EC, referitoare la "Waste Electrical and Electronic Equipment (WEEE)". Asigurându-vă că acest produs este scos din uz în mod corect, dv ca utilizator contribuiți la prevenirea puternicelor consecințe negative asupra mediului înconjurător și asupra sănătății.



Simbolul  aplicat pe produs sau pe documentația de însoțire a acestuia vă arată că aparatul trebuie să fie tratat separat de deșeurile casnice; în acest scop el va trebui să fie încredințat unui centru de colectare adecvat, destinat reciclării aparatelor electrice și electronice. Scoaterea din uz a acestor produse este deci supusă normelor locale în materie de tratare a deșeurilor. Pentru informații ulterioare cu privire la tratarea, recuperarea sau reciclarea acestui produs, apălați la biroul local competent, la serviciul de colectare a deșeurilor casnice sau la magazinul de unde ați achiziționat aparatul.

INSTRUCȚIUNI DE MONTAJ

Toate operațiile de montaj și conectare electrică trebuie să fie efectuate de personal specializat.

• Conexiunea electrică

Hota intră în clasa de construcție II; de aceea, nu este necesar să o conectați la împământare.

Conectarea la rețeaua electrică trebuie să respecte următoarele indicații:

MARO = L fază

BLEUMARIN = N neutru

Este necesar să dispuneți de o priză separată, la normă, pentru a putea suporta sarcina indicată pe eticheta cu caracteristici. Dacă ați prevăzut o astfel de priză, aveți grijă să fie amplasată într-o zonă ușor accesibilă și după montare.

Dacă veți efectua conectarea direct la rețea (dacă nu dispuneți de o priză separată) este necesar să echipați cablul cu un întrerupător multipolar cu deschiderea contactelor de 3 milimetri, capabil să suporte sarcina electrică indicată, realizat conform normelor în vigoare.

• Distanța minimă între suprafața, suportului vaselor de gătit de pe aragaz și partea cea mai joasă a hotei de la bucătărie, trebuie să fie de cel puțin 65 cm. Dacă veți folosi un tub de evacuare compus din două segmente, segmentul superior trebuie să fie în exteriorul segmentului inferior. Nu conectați tubul de evacuare a aburilor la o conductă de aer cald sau care servește și la evacuarea aburilor care provin de la alte instalații de încălzire, mai ales dacă alimentarea acestora nu este electrică. Înainte de a începe montajul, îndepărtați filtrul/filtrele (vezi Fig. 19), pentru a mânăui mai ușor hota. În caz că aparatul este montat în versiune aspirantă predispuieți gaura de evacuare al aerului.

• Se recomandă utilizarea unui tub de evacuare a aerului cu diametrul de 150. Utilizarea unei reduții poate diminua performanțele aparatului și mări nivelul de zgomot.

• Înlocuirea becurilor cu halogen (Fig.17).

Pentru a înlocui becurile cu halogen B îndepărtați geamul din sticlă C apăsând clamele din fisurile corespunzătoare. Înlocuiți becurile arse cu atele noi, de același tip.

Atenție: nu atingeți becul cu mâna.

Notă:

- Pentru instalarea acestui produs, se recomandă să cereți ajutorul unei terțe persoane.

• Montajul hotei

- Înainte de a instala hota, deschideți ambalajul și, din partea de sus a coșului decorativ **L**, scoateți cele 4 șuruburi **D** care unesc partea superioară a coșului cu brida de fixare a coșului **C** (fig.2A).

Luați structura din ambalaj și scoateți cele două șuruburi **A** pentru a despărți partea superioară de cea inferioară (Fig. 2B).

Poziționați placa cu găuri pe tavan făcând atenție ca săgeata să fie situată pe aceeași latură de comandă al aparatului. (Fig. 3)

Faceți 4 găuri de $\bar{R}8$ pe tavan și înțurubați 3 șuruburi fără să le strângeți complet făcând atenție de a nu pune șurubul în gaura contrasemnata cu **X** pe placa cu găuri (șuruburile și dopurile cu expansiune, trebuie să fie potrivite tipului de perete).

Varianta Aspirantă

- Uniți brida de fixare a coșului **C** cu partea de sus a structurii **B**, utilizând cele 4 șuruburi **D** (Fig.4).

Varianta Filtrantă

- Înainte de a uni brida de fixare **C** cu partea de sus a structurii **B**, deplasați deflectorul **E** spre interior, împingându-l în fantele respective (Fig.5).

- Pe varianta filtrantă, deviatorul de aer este montat pe structura superioară.

- Uniți brida de fixare a coșului **C** cu partea de sus a structurii **B**, utilizând cele 4 șuruburi **D** (Fig.5).

- Luați partea superioară a structurii **B** (fig. 6) și introduceți-o în cele 3 șuruburi neînșurubate complet în coridonanța celor 3 orificiuri.

Faceți o mică rotație pentru a o bloca (fig. 6).

Înșurubați al patrulea șurub **X** și strângeți bine celelalte 3 rămase pentru a crea blocajul definitiv a părții superioare a structurii **B**.

Vă recomandăm să blocați brida de fixare a coșului **C** cu alte 4 șuruburi **D**, introducându-le în găurile pentru fixarea de siguranță (Fig. 7).

Luați partea inferioară a structurii telescopice **C** și introduceți-o în cea superioară **B** (fig. 7).

Reglați înălțimea dorită ținând cont de distanțele indicate în (fig. 18) și blocați-o cu cele 8 șuruburi **G** în dotație (fig. 8).

- **Versiunea aspirantă:** fixați tubul flexibil la gaura de evacuare al aerului predispus (fig. 9).

- **Varianta filtrantă:** uniți tubul flexibil al deflectorului **M** după cum este indicat în (Fig.10), filtrele de carbon activ trebuie să fie aplicate pe grupul de aspirație din interiorul hotei (Fig. 20).

Deșurubați maxim 3 mm cele 2 șuruburi **O** (Fig. 11A).

Introduceți grupul de aspirație în interiorul structurii fiind atenți ca șuruburile **O**, deșurubate anterior, să intre în fantele corespunzătoare, așa cum se arată în (Fig.11 B).

Înșurubați cele 3 șuruburi **N** (în dotație) și strângeți bine celelalte 2 șuruburi **O** (Fig. 11C-D).

- Prindeți coșul **L** (partea de sus) și fixați-l pe brida coșului **C**, cu ajutorul celor 4 șuruburi **D** (Fig.12).

- Pe varianta filtrantă, după ce ați fixat coșul pe structură, deplasați spre exterior deflectoarele Dr și St **E**, aducându-le în dreptul grătarelor de evacuare a aerului de pe tub, intervenind asupra fanțelor respective (Fig.13).

Fixați tubul de evacuare al aerului **H** (nu în dotație) pe flanșa manșonului **F** (Fig. 14)

- Luați acum grupul **N** și uniți-l cu partea de sus a coșului, apoi fixați-l cu cele 4 șuruburi **Y** (Fig.15).

- Racordarea electrică

Înainte de a lega hota la rețeaua de alimentare, scoateți

cele 4 șuruburi **A**, deschideți capacele și efectuați conexiunile electrice între corpul hotei și ansamblul motor (Fig. 16).

UTILIZARE ȘI ÎNTREȚINERE

Porniți aparatul înainte de a începe coacerea alimentelor. Lăsați aparatul în funcțiune 15 minute după stingerea aragazului, pentru a elimina complet mirosul de mâncare. Funcționarea corectă a hotei depinde de întreținerea ei în mod periodic, conform indicațiilor; o atenție mărită trebuie acordată filtrului degresant și filtrului de carbon activ.

Filtrul degresant reține suspensiile de grăsime din aer și de aceea se poate deseori obtura, la intervale diferite de timp, în funcție de folosirea aparatului.

Filtrul acrilic de pe grătar trebuie înlocuit când indicațiile (vizibile prin grătar) își schimbă culoarea și cerneala se întinde. Filtrul nu trebuie aplicat în așa fel încât, privind din exterior, indicațiile să fie din nou vizibile prin grătar. Dacă filtrele acrilice nu au nici o indicație scrisă sau dacă folosiți filtre din metal sau din panouri de aluminiu, se recomandă spălarea filtrelor la maxim două luni, pentru a evita astfel riscul de incendii:

- îndepărtați filtrul de pe grătar și spălați-l cu apă și detergent lichid neutru până când înlăturați mizeria acumulată.

- Clătiți din abundență cu apă caldută și lăsați-l să se usuce.

Filtrele metalice sau panourile din aluminiu pot fi spălate și cu mașina de spălat vase. După câteva spălări, este normal ca ele să-și schimbe culoarea. Acest lucru nu vă dă îndreptățeste să înaintați reclamații sau să solicitați înlocuirea lor.

Dacă nu respectați exact instrucțiunile de înlocuire sau curățire, există riscul ca filtrele degreasante să ia foc.

Filtrele din cărbune activ purifică aerul repus în circulație. Filtrele din carbon activ nu pot fi spălate sau recondiționate; se recomandă înlocuirea lor la maxim patru luni. Gradul de saturare a filtrului depinde de timpul de folosire a hotei, de tipul de bucătărie și de frecvența operațiilor de spălare a filtrului degresant.

Curățați periodic ventilatoarele și, în general, hota; folosiți o cârpă îmbibată în alcool denaturat sau într-un detergent lichid neutru neabraziv.

Instalația de lumină este proiectată numai pentru folosirea ei în timpul gătitului și nu pentru a asigura iluminarea generală a încălzărilor. Folosirea îndelungată a luminii hotei reduce mult durata de viață a becurilor.

COMENZI (Fig.21):

Butonul A = aprinde/stinge lumina

Butonul B = pornește/oprește hota. Micșorează viteza motorului. Punerea în funcțiune a hotei se realizează la viteza 1. Dacă hota este în funcțiune, apăsați butonul timp de 2 secunde pentru a o opri. Dacă hota este în viteza 1, nu este necesar să o opriți.

Display C = indică viteza selectată și activează temporizatorul.

Butonul D = pornește hota. Mărește viteza motorului. Prin apăsarea butonului corespunzător vitezei a 3a, se intensifică funcționarea timp de 10', după care hota se întoarce la viteza inițială. În acest interval de timp display-ul emite o lumină intermitentă.

Butonul E = Timer-ul cronometrează durata funcțiilor, din momentul activării lor, timp de 15 minute; apoi, acestea sunt dezactivate. Timer-ul se dezactivează

apasând din nou butonul **E**. Când funcția Timer este activă, zecimalele de pe display emit un semnal intermitent. Dacă funcția Viteza intensiva este activată, Timer-ul nu poate fi pus în funcțiune.

Apasând butonul **E** timp de 2 secunde, când aparatul este oprit, se activează funcția "**clean air**". Aceasta pune în funcțiune motorul 10 minute pe ora, la viteza întâi. În timpul funcționării, pe ecran apare o mișcare rotativă, a segmentelor periferice. La expirarea timpului, motorul se oprește iar pe ecran apare litera **C**, cu un semnal luminos stabil, care rămâne în acest fel 50 de minute; apoi, motorul se repune în funcțiune alte 10 minute, s.a.m.d.

• Saturația filtrului de degresare/carbon activ:

- Când ecranul **C** este intermitent și viteza de funcționare se alternează cu litera **F** (de ex. 1 și **F**) este necesar să spălați filtrele **degresante**.

- Când ecranul **C** este intermitent și viteza de funcționare se alternează cu litera **A** (de ex. 1 și **A**) este necesar să înlocuiți filtrele de **carbon activ**.

După montarea unui filtru curat, este necesar să reșetați memoria electronică apăsând tasta **A** timp de **5 sec.**, până când ledurile **F** sau **A** de pe ecranul **C** încetează să fie intermitente.

COMENZI: ELECTRONICE (Fig.22A)

A = buton LUMINĂ

B = buton de oprire OFF/ VITEZA ÎNTĂI

C = buton VITEZA A DOUA

D = buton VITEZA A TREIA

E = buton TEMPORIZATOR OPRIRE AUTOMATĂ 15 minute (*)

F = buton RESET BEC SATURAȚIE FILTRE

Când becul de "SATURAȚIE FILTRE" semnalizează, filtrele degresante trebuie să fie spălate. Când se aprinde becul fără să semnalizeze filtrele degresante trebuie să fie spălate iar filtrele din cărbune activ înlocuite (în cazul funcționării în versiunea recirculației aerului).

COMENZI: (Fig.23) LUMINOASE - (Fig.22B)

ELECTRONICE simbolurile sunt explicate mai jos:

A= buton LUMINĂ

B= buton de oprire OFF

C= buton VITEZA ÎNTĂI

D= buton VITEZA A DOUA

E= buton VITEZA A TREIA

F= buton TEMPORIZATOR OPRIRE AUTOMATĂ 15 minute (*)

Dacă aparatul dumneavoastră este prevăzut de funcțiunea vitezei **INTENSIVE**, țineți apasat timp de 2 secunde butonul **E** și aceasta va fi pusă în funcțiune pe timp de 10 minute după care se va întoarce la viteza stabilită precedent.

Când funcțiunea este activă ledul semnalează. Pentru a o întrerupe înainte de 10 minute apăsați di nou pe butonul **E**

Apasând butonul **F** timp de 2 secunde (cu hota închisă) se va pune în funcțiune "**clean air**". Acest procediment va pune în funcțiune motorul timp de 10 minute la fiecare ora în prima viteză.

Cum s-a pus în funcțiune, motorul va începe cu 1° viteză timp de 10 minute în timpul careia trebuie să semnaleze simultan butoanele **F** și **C**. După ce a trecut acest timp motorul se oprește și ledul butonului **F** rămâne fix aprins,

iar după 50 de minute motorul porneste din nou la prima viteză și ledul **F** și **C** încep să semnalizeze pe timp de 10 minute, și așa mai departe. Apăsând oricare buton în afara de cel de lumină, hota va începe imediat să funcționeze normal (de ex. dacă apăsați butonul **D** se dezactivează funcțiunea "clear air" și motorul va merge imediat la a 2° viteză; apăsând butonul **B** funcțiunea se va dezactiva)

(*) Funcția „TEMPORIZATOR OPRIRE AUTOMATĂ” întârzie oprirea hotei, care va continua să funcționeze timp de 15', la viteza pe care o avea în momentul activării acestei funcții.

• Saturația filtrului de degresare/carbon activ:

- Când tasta **A** emite un semnal intermitent, la un interval de **2 secunde**, filtrele de degresare trebuie spălate.

- Când tasta **A** emite un semnal intermitent, la un interval de **0,5 secunde**, filtrele de carbon activ trebuie să fie înlocuite.

După ce ați montat filtrul curat este necesar să ștergeți memoria electronică apăsând tasta **A** timp de **5 secunde**, până când tasta se stinge.

COMENZI: (Fig.24A) MECANICE_(Fig.24B) ELIPTICE; simbolurile sunt explicate mai jos:

A= buton LUMINĂ

B= buton de oprire OFF

C= buton VITEZA ÎNTĂI

D= buton VITEZA A DOUA

E= buton VITEZA A TREIA

G= semnal luminos MOTOR ÎN FUNCȚIUNE

PRODUCĂTORUL ÎȘI DECLINĂ ORICE RESPONSABILITATE PENTRU DAUNELE PROVOCATE PRIN NERESPECTAREA INSTRUCȚIUNILOR DE MAI SUS

ОБЩИЕ СВИДЕНИЯ

Внимательно прочитайте содержание данной инструкции, поскольку содержит важные указания, относящиеся к безопасности установки, эксплуатации и техобслуживания. Сохраните инструкцию для любой дальнейшей консультации. Устройство разработано в следующих вариантах исполнения: вытяжное устройство (удаление воздуха из помещения - рис. 1B), фильтрующее устройство (рециркуляция воздуха внутри помещения - рис. 1A) или вариант с применением наружного электродвигателя (рис. 1C).

МЕРЫ ПРЕДОСТОРОЖОСТИ

1. Быть внимательным, если одновременно работает вытяжка и горелка или очаг, нуждающиеся в окружающем воздухе и запитывающиеся иной энергией, кроме электрической. В таком случае вытяжка удаляет из помещения воздух, нужный для процесса сгорания в горелке или очаге. Отрицательное давление в помещении не должно превышать 4Pa (4×10^{-5} bar). Для надежной и безопасной работы следует обеспечить вентиляцию помещения. Для наружных выбросов соблюдать правила, действующие в Вашей стране.

Прежде чем подключить прибор к электрической сети:

- убедиться в соответствии напряжения и мощности прибора, данные о которых помещены на заводской паспортной табличке, сетевым показателям, а также соответствие электросоединителя (розетки). В случае несоответствия розетки обратиться к квалифицированному электрику.

- Если провод электропитания поврежден, замените его или весь специальный узел у производителя или в уполномоченном центре технического обслуживания.

2. ВНИМАНИЕ !

A. не пытайтесь проверить фильтры на работающей вытяжке

B. Не дотрагиваться до лампочек и прилегающих к ним поверхностей во время и после длительной эксплуатации осветительного прибора.

C. не трогайте лампочки после продолжительной работы прибора

D. запрещается готовить пищу на огне под вытяжкой

E. избегайте открытого пламени, оно вредно для фильтров и создает опасность пожара

F. держите под постоянным контролем жарящуюся пищу, так как перегретое масло может воспламениться

G. Изделие не рассчитано на эксплуатацию детьми или недееспособными лицами без присмотра.

H. Не разрешайте детям играть с изделием.

I. перед любым видом теххода отключить вытяжку от электросети

Данное изделие имеет маркировку соответствия Европейскому Нормативу 2002/96/EC, Утилизация электрических и электронных изделий (WEEE).

Проверьте, чтобы по окончании его срока службы данное изделие было сдано в утиль. Этим Вы помогаете сохранить окружающую среду.

Символ  на изделии или в прилагающейся к нему документации означает, что данное изделие не должно рассматриваться как бытовые отходы, а должно быть сдано в специальный центр утилизации, занимающийся уничтожением электрических и электронных приборов. Изделие должно быть сдано в утиль в соответствии с местными нормативами по утилизации отходов. За дополнительными сведениями касательно обработки, утилизации и уничтожения данного изделия обращайтесь в местное отделение сбора домашних бытовых приборов или в магазин, в котором было куплено изделие.

ИНСТРУКЦИИ ПО УСТАНОВКЕ

Монтаж и подключение к электросети должны производиться специализированным персоналом.

• Прибор имеет класс II, поэтому к заземлению не надо подсоединять никакой провод, подсоединение к электросети выполняется следующим образом:

коричневый-L-линия
синий-N-нейтральный

Если на кабеле нет штепселя, установить штепсель, рассчитанный на работу с нагрузкой, указанной на табличке характеристик. Если вытяжка оснащена штепселем, она устанавливается, при условии, что штепсель будет доступным. В случае прямого подсоединения к электросети нужно разместить между прибором и сетью многополюсный выключатель с зазором контактов минимум 3 мм, рассчитанный на нужную нагрузку и отвечающий действующим нормам.

• Минимальная дистанция между опорной нагревающей плоскостью и нижней частью кухонного дымохода должна быть не менее 65 см. Если применяется соединительная труба из двух и более частей, то верхняя часть должна располагаться снаружи нижней части. Не соединять выброс из вытяжки с каналом циркуляции горячего воздуха или с каналом, используемым для отвода дыма от устройств, запитываемых иной энергией кроме электрической. Перед тем как приступить к сборке устройства, для облегчения его монтажа отсоедините фильтр/жироулавливающий фильтр (рис. 19).

- В том случае, если прибор монтируется с вытяжным устройством, рекомендуется обеспечить помещение выводным отверстием.

• Рекомендуется использовать трубу дымохода диаметром 150. Использование суженной трубы может сократить КПД вытяжки и увеличить ее шумовой уровень

Замена галогенных ламп (Схема 17).

Для замены галогенных ламп **B** снимите стеклянную крышку **C**, поддев ее отверткой в специальных пазах. Замените лампы на лампы такого же типа.

Внимание: не прикасайтесь к лампам голыми руками.

Примечание!

- Монтаж этого изделия рекомендуется выполнять вдвоем.

• Монтаж дымохода

- Перед началом монтажа вытяжки возьмите из упаковки верхнюю часть дымохода **L** и выньте 4 шурупа **D**, соединяющие верхнюю часть дымохода с крепежной скоробой дымохода **C** (схема 2А).

- Освободить структуру от упаковки и отсоединить верхнюю ее часть от нижней, раскрутив 2 болта **A** (рис. 2В).

- Установить лекало отверстий на потолке таким образом, чтобы стрелка совпадала со стороной панели команд прибора (рис.3).

- Просверлить 4 отверстия Ш8 в потолке и привинтить 3 болта не завинчивая до конца. Не завинчивать болт в отверстие со отметкой **X** на лекале отверстий (болты и прокладки должны соответствовать типу стены).

Вытяжка с отводом

- Соедините крепежную скобу дымохода **C** с верхней структурой **B** при помощи 4 шурупов **D** (Схема 4).

Рециркулирующая модель

- Перед соединением крепежной скобы **C** с верхней структурой **B** передвиньте в центр отражатель **E**, используя специальные отверстия (Схема 5).

- В рециркулирующей модели вытяжки отражатель воздуха крепится к верхней структуре.

- Соедините крепежную скобу дымохода **C** с верхней структурой **B** при помощи 4 шурупов **D** (Схема 5).

- Укрепить верхнюю часть прибора **B** (рис.6) на 3 ослабленных болтах в соответствии с 3 петлями.

- Слегка повернуть до полного закрепления(рис.6).

Привинтить четвертый болт **X** и освободить верхнюю часть **B** от 3 вышеуказанных болтов, чтобы осуществить окончательное ее крепление.

Рекомендуется закрепить крепежную скобу дымохода **C** дополнительными 4 шурупами **D** в специальных отверстиях безопасности (Схема 7).

- Установить нижнюю часть телескопической структуры **C** на верхнюю **B** (рис.7).

Установить желаемую высоту согласно указанным размерам (рис.18) и закрепить нижнюю часть при помощи прилагаемых 8 болтов **G** (рис.8).

- **Вытяжное устройство:** крепить гибкий шланг к отверстию выхода воздуха(рис.9).

- **Рециркулирующая модель:** подсоедините гибкий шланг к отражателю **M**, как показано на (Схеме 10), угольные фильтры должны быть установлены в всасывающий узел, расположенный внутри вытяжки (Схема 20).

- Отвинтить не более чем на 3 мм 2 болта **O** (рис.11А). Вставьте всасывающий узел внутрь конструкции, обращая внимание, чтобы ранее отвинченные шурупы **O** вошли в петли в нижней части, как показано на (Схеме 11 В).

Завинтить 2 болта **N** (прилагаются) и вытащить 2 болта **O** (рис. 11 C-D).

- Прикрепите верхнюю часть дымохода **L** к крепежной скобе дымохода **C** 4 шурупами **D** (Схема 12).

- В **рециркулирующей модели** после крепления дымохода к структуре передвиньте к краям правый и левый отражатели **E**, устанавливая их вплотную к решеткам подачи воздуха, используя специальные отверстия (Схема 13).

- Крепите шланг вывода воздуха **H** (не прилагается) к выводящему фланцу **F** (рис.14).

- Соедините элемент **N** с верхней частью дымохода и

окончательно зафиксируйте его 4 шурупами **Y** (Схема 15).

- Электрическое подсоединение

Перед электрическим подключением изделия выньте 4 шурупа **A**, откройте крышки и соедините разъем корпуса вытяжки с разъемом двигателем (Схема 16).

ЭКСПЛУАТАЦИЯ И ТЕХХОД

• Рекомендуется включать кухонную вытяжку перед началом приготовления какого-либо блюда. По завершении приготовления рекомендуется оставить вытяжку включенной в течение 15 минут для полного удаления испарений и чада.

Исправная работа вытяжки зависит от правильного и регулярного техобслуживания, в особенности от ухода за фильтрами-жироуловителями и за угольными фильтрами.

• Фильтры-жироуловители задерживают жирные частицы в воздухе, поэтому частота их засорения зависит от регулярности использования вытяжки.

Необходимо заменять акриловый фильтр, расположенный на решетке, когда надписи, которые видно через отверстия решетки, изменяют цвет и станут размытыми. Новый фильтр устанавливается так, чтобы надписи были видны через решетку снаружи вытяжки. Если на акриловом фильтре отсутствуют надписи или если фильтр состоит из металлической проволоки или алюминиевой панели, во избежание возгорания не чаще 2 месяцев необходимо мыть фильтры-жироуловители следующим образом:

- снимите фильтр с решетки и промойте его в растворе с нейтральным моющим средством до размягчения жирного налета.

- Промойте фильтр обычным количеством теплой воды и просушите.

Металлические фильтры и/или алюминиевые панели можно также мыть в посудомоечной машине После нескольких моек цвет алюминиевых фильтров или панелей может измениться. Это не дает покупателю права требовать замены фильтра.

В случае несоблюдения инструкций по замене и чистке фильтров может возникнуть опасность возгорания фильтров-жироуловителей.

• Угольные фильтры служат для очистки воздуха, который затем возвращается в помещение Угольные фильтры не моются и не регенерируются, а заменяются не реже 4-месячной эксплуатации вытяжки. Сатурация активированного угля зависит от продолжительности эксплуатации вытяжки, площади кухни и регулярности чистки фильтров-жироуловителей.

• Регулярно вытирайте налеты на вентилятор и на остальные поверхности при помощи влажной тряпки, смоченной в денатурате или в нейтральном неабразивном моющем средстве.

• Лампы вытяжки служат для освещения варочной панели во время приготовления и не рассчитаны на длительное включение для обычного освещения помещения. Продолжительное использование ламп вытяжек значительно сокращает их средний срок службы.

Органы управления: (Рис.21)

Клавиша А = включает/выключает подсветку

Клавиша В = включение/выключение вытяжки. Вытяжка включается на 1-ой скорости. Если вытяжка включена, нажмите кнопку на 2 секунды, чтобы

выключить ее. Если вытяжка работает на 1-ой скорости, не нужно держать кнопку нажатой для ее выключения. Скорость двигателя сокращается.

Дисплей С = показывает скорость мотора, которая была набрана, и включение таймера.

Клавиша D = включает вытяжку. Увеличивает скорость мотора. Нажатие клавиши 3-й скорости вызывает активацию функции интенсивного режима на 10 мин, по истечении которых восстанавливается скорость работы, активной в момент включения данной функции. На период действия интенсивного режима имеет место мигание индикатора.

Клавиша E = Таймер на 15 минут запоминает функции в момент включения после отключения этих функций. Таймер отключается повторным нажатием кнопки **E**. Когда функция Таймер включена, на дисплее должно мигать десятичное значение. Если работает интенсивная скорость, включить функцию Таймер нельзя.

Нажав кнопку **E** на 2 секунды при выключенной вытяжке, включается функция «**чистый воздух**». Эта функция включает двигатель на 1-ой скорости на 10 минут каждый час. В процессе функционирования на дисплее показываются вращающиеся боковые сегменты. По истечении этого времени двигатель выключается, и на дисплее появляется буква «**C**» до следующего запуска двигателя на 10 минут по прошествии 50 минут.

• Засорение фильтров-жироуловителей / фильтра с активированным углем: Fig.18

- Когда на дисплее **C** попеременно мигают значение рабочей скорости и буква **F** (наприм.,1 и **F**) необходимо вымыть фильтры-жироуловители.

- Когда на дисплее **C** попеременно мигают значение рабочей скорости и буква **F** (наприм.,1 и **A**) необходимо заменить фильтры с активированным углем.

После установки фильтра на место после чистки необходимо обнулить электронную память, нажав кнопку **A** примерно на **5 сек.** вплоть до прекращения мигания буквы **F** или **A** на дисплее **C**.

• Органы управления: Электронные (рис.22A):

A = кнопка освещения

B = кнопка нулевой – первой скорости

C = кнопка второй скорости

D = кнопка третьей скорости

E = кнопка таймера автоматической остановки через 15мин (*)

F = сигнальная лампа засорения фильтров от жира и угольных фильтров.

Когда лампа «**засорение фильтров**» начинает мигать, это означает, что необходимо промыть фильтры от жира. Когда лампа включается без мигания необходимо промыть фильтры от жира и заменить угольные фильтры (в случае работы вытяжки в рециркуляционном режиме). Выполнив данные операции, нажмите кнопку для включения.

Органы управления: (рис.23) Светящиеся - (рис.22B) Электронные.

A = кнопка освещения

B = кнопка нулевой

C = кнопка первой скорости

D = кнопка второй скорости

E = кнопка третьей скорости

F = кнопка таймера автоматической остановки через 15 мин (*)

В том случае, если ваш прибор снабжен функцией **ПОВЫШЕННОЙ** скорости, ее можно активизировать. Для этого держать в нажатом положении в течении 2-х секунд клавишу **E**. Функция включается на 10 мин, после чего возвращается к ранее установленной скорости.

Мигающая лампочка указывает на то, что функция включена.

Для отключения функции раньше 10- минутного срока повторно нажать клавишу **E**.

Нажатом положении в течение 2 –х секунд клавишу **F**. Для включения функции «**clean air**» нажать и держать в таком положении клавишу **F**. Эта функция ежедневно включает двигатель на первой скорости на 10 минут, в течение которых должны мигать одновременно указатели клавиш **F** и **C**. После чего двигатель выключается, а указатель на клавише **F** остается зажженным. Приблизительно через 50 минут опять включается двигатель на первой скорости, и указатели **F** и **C** начинают мигать в течение 10 минут и т.д. Нажатием любой клавиши, за исключением клавиши включения освещения, дымосос возвращается в свое нормальное рабочее состояние (напр., если нажать клавишу **D** - отключается функция «**clean air**» и двигатель сразу же включается на 2^о скорости; нажав клавишу **B** функция отключается).

(*) Функция «таймер автоматической остановки» задерживает отключение вытяжки, которая продолжает работу на скорости, выбранной при включении этой функции через 15 минут.

• Засорение фильтров-жироуловителей / фильтра с активированным углем:

- Когда мигает кнопка **A** с частотой **2 сек.**, необходимо вымыть фильтры-жироуловители.

- Когда мигает кнопка **A** с частотой **0,5 сек.**, необходимо заменить фильтры с активированным углем.

После установки на место чистого фильтра необходимо обнулить электронную память, нажав кнопку **A** примерно на 5 сек. вплоть до прекращения мигания.

Органы управления: 24A) Механические 24B) овалы

A = кнопка освещения

B = кнопка нулевой

C = кнопка первой скорости

D = кнопка второй скорости

E = кнопка третьей скорости

G=лампочка: ДВИГАТЕЛЬ В РАБОЧЕМ РЕЖИМЕ

ФИРМА НЕ НЕСЕТ НИКАКОЙ ОТВЕТСТВЕННОСТИ ЗА УЩЕРБ, ВЫЗВАННЫЙ НЕСОБЛЮДЕНИЕМ ВЫШЕПРИВЕДЕННЫХ ПРЕДУПРЕЖДЕНИЙ.

OBSERVERA

Läs innehålllet i detta instruktionshäfte noga då det tillhandahåller viktig information vad beträffar säkerheten vid installation, användning och underhåll. Spar häftet för eventuella framtida konsultationer. Apparaten har utformats antingen som utsugningsklåpa (extern luft-evakuering) eller filterklåpa (intern luftrecirkulation). Apparaten är konstruerad för att användas som antingen insugande version (utsugning av luft utomhus - Fig.1B), filtrerande version (återcirkulering av luft inomhus - Fig.1A) eller version med yttre motor (Fig.1C).

SÄKERHETSFORESKRIFTER

1. Var uppmärksam om utsugningsklåpan fungerar samtidigt som en brännare eller eldhärd som är beroende av omgivningsluften i rummet och som drivs med annan typ av energi än elektrisk energi, eftersom utsugningsklåpan suger upp luft från rummet som brännaren eller eldhärden är i behov av för sin förbränningsprocess. Undertrycket i lokalen får inte överskrida 4 Pa (4x10⁻⁵ bar). För att garantera säkerheten rekommenderas därför en god ventilation av lokalen. Vad beträffar det utvändiga utsläppet skall de i det aktuella landet gällande normerna och föreskrifterna respekteras.

Innan apparaten kopplas till elnätet:


- kontrollera typskylten (på insidan av apparaten) och försäkra dig om att spänning och effekt motsvarar elnätets och att stickkontakten passar. Rådfråga kunnig eltekniker, om du är tveksam.
- Om nätkabeln är skadad ska den bytas ut mot en ny kabel eller en specialsats som tillhandahålls av tillverkaren eller dess tekniska servicetjänst.

2. VARNING !

Elektriska hushållsmaskiner kan under vissa omständigheter medföra risker.

- A) Kontrollera aldrig filtren samtidigt som klåpan är i funktion**
- B) Vidrör inte lamporna eller närliggande delar medan belysningen är tänd eller om den varit tänd länge.**
- C) Rör inte lamporna om apparaten varit i funktion under en längre tid**
- D) Det är förbjudet att grilla mat över öppen låga under klåpan**
- E) Undvik öppen låga, då sådan är skadlig för filtren och utgör brandrisk**
- F) Vid frityrkokning måste spisen övervakas kontinuerligt för att undvika att oljan överhettas och tar eld**
- G) Utrustningen är inte avsedd för att användas av barn eller oförmögna personer, utan uppsikt av en vuxen.**
- H) Kontrollera att barn inte leker med utrustningen.**
- I) Innan någon typ av underhållsarbete genomförs måste klåpan kopplas ifrån det elektriska nätet.**

Den här apparaten överensstämmer med europadirektivet 2002/96/EG, Waste Electrical and Electronic Equipment (WEEE). Genom att försäkra sig om att den här produkten elimineras på rätt sätt, bidrar användaren till att förebygga eventuella negativa följdrisker för miljö och hälsa.

Symbolen  på produkten eller på bifogad dokumentation indikerar att den här produkten inte ska behandlas om hushållsavfall utan ska överlämnas till lämplig avfallsstation för återvinning av elektriska och elektroniska apparater. Kasserat enligt gällande lokala normer för avfallshantering. För ytterligare information om hantering och återvinning av produkten, kontakta det lokala kontoret, uppsamlingsstation för hushållsavfall eller affären där produkten inhandlats.

INSTALLATIONS INSTRUKTIONER

Låtgärder för montering och elanslutning måste utföras av kunnig personal.

• Elanslutning

Apparaten är av typklass II, och inga kablar skall därför jordanslutas.

Nätanslutningen skall utföras på följande sätt:

BRUN = L fas

BLÅ = N nolla

Om kabeln inte redan är försedd med en sådan skall en standard stickpropp, avsedd för den på märkplåten angivna belastningen monteras.

Om kontakt finns skall klåpan installeras så att denna kontakt är tillgänglig.

I det fall apparaten ansluts fast till nätet, skall man montera en flerfasig strömbrytare mellan apparaten och eluttaget, med ett minst 3 mm brett luftgap mellan kontaktarna, som är avsett för den aktuella belastningen och uppfyller gällande normer.

- Det minimala avståndet mellan kokkärlens underlag på kokhällen och spisfläktens nedre del måste vara minst 65 cm. I det fall ett anslutningsrör används som består av två eller flera delar, måste den övre av delarna träs utanpå den undre delen.

Anslut inte klåpans utloppsrör till luftkanaler i vilka varmluft cirkulerar, eller kanaler som används för att evakuera rök från apparater som drivs med annan typ av energi än elektrisk energi. För att förenkla handhavandet av apparaten ska antifettfiltret/en tas ut innan monteringsmomenten påbörjas (Fig.19).

Om apparaten ska monteras med utsugningversion ska hål för luftuttömning anordnas.

- Det rekommenderas att använda ett ventilationsrör med en diameter på 150. Om ett reducerstycke används försämrar utrustningens kapacitet och bullernivån ökas

• Byta halogenlampor (Fig. 17).

För att byta halogenlamporna **B**, bänd upp glaset **C** i springorna.

Byt ut mot lampor av samma typ.

Obs! Ta inte i lampan med bara händer.

Obs!

- Det rekommenderas att du tar hjälp av en andra person när denna utrustning ska installeras.

• Montering av fläktkåpan

- Innan kåpan installeras, öppna emballaget, ta ut den övre skorstenskåpan **L** och skruva ur de 4 skruvarna **D** som håller ihop den övre skorstenskåpan med skorstenens fästbygel **C** (Fig. 2A).

- Lyft ut apparaten ur förpackningen och lossa de 2 skruvarna **A** för att skilja den övre delen från den nedre (fig. 2B).

- Placera hålstansen i taket och se till att pilen sitter i samma läge som apparatens styrpanel (fig.3).

Gör 4 R8 hål i taket och skruva i 3 skruvar utan att vrida åt dem helt. Var noga med att inte sätta in skruven i det hål som markerats med ett **X** på hålstansen (skruvarna och expansionshålen måste anpassas till väggen).

Insugande version

- Sätt ihop skorstenens fästbygel **C** med den övre stommen **B** med de 4 skruvarna **D** (Fig. 4).

Filterrande version

- Innan skorstenens fästbygel **C** sätts ihop med den övre stommen **B**, flytta avskärmningsplåten **E** infit med hjälp av de därtill avsedda springorna (Fig. 5).

- På den filterrande versionen sitter luftfördelaren på den övre stommen.

- Sätt ihop skorstenens fästbygel **C** med den övre stommen **B** med de 4 skruvarna **D** (Fig. 5).

- Ta den övre delen av apparaten **B** (fig.6) och sätt i den på de 3 skruvarna som inte är helt färdiga i nivå med de 3 hålen.

Vrid lite för att fästa (fig. 6) .

Skruva i den fjärde skruven **X** och dra åt de övriga 3 för att låsa fast den övre delen av apparaten **B** fullständigt.

Vi rekommenderar att fästa skorstenens fästbygel **C** med ytterligare 4 skruvar **D** i de därtill avsedda säkerhetshålen (Fig. 7).

- Ta nu den nedre delen av teleskopstrukturen **C** och sätt på den övre **B** (fig. 7).

Reglera till önskad höjd och jämför med indikerade höjder på (fig.17). Vrid åt de 8 bifogade skruvarna **G** (fig. 8).

- **Insugande version:** fäst slangen i hlet för luftutlösning, se (fig. 9).

- **Filterrande version:** Anslut slangen till avskärmningsplåten **M** som visas i (Fig. 10). Filtrern med aktivt kol ska fästas på insugningsenheten som sitter inuti kåpan (Fig. 19).

- Lossa de 2 skruvarna **O** (Fig.11A) högst 3 mm.

Sätt in insugningsenheten inuti stommen. Var noga med att skruvarna **O** som har skruvats ur tidigare hakar fast i springorna, se (Fig. 11 B).

Vrid åt de 3 skruvarna **N** (bifogas) och dra åt de 2 skruvarna **O** (fig. 11C-D).

- Ta fram den övre skorstenskåpan **L** och fäst den på skorstenens fästbygel **C** med de 4 skruvarna **D** (Fig. 12).

- **Filterrande version:** När skorstenskåpan har monterats på stommen, flytta den högra och vänstra avskärmningsplåten **E** utfit med hjälp av de därtill avsedda springorna så att de sammanfaller med luftutloppsrorets galler (Fig. 13).

- Fäst luftutlösningröret **H** (bifogas inte) på

kopplingsfogen **F** (fig. 14)

- Ta fram blocket **N** och sätt ihop det med den övre skorstenskåpan och fäst det definitivt med de 4 skruvarna **Y** (Fig. 15).

- Elektrisk anslutning

Innan någon anslutning görs, ta bort de 4 skruvarna **A**, öppna locket och utför de elektriska anslutningarna mellan kåpan och motorenheten (Fig. 16).

ANVÄNDNING OCH UNDERHÅLL

• Det rekommenderas att starta utrustningen innan någon typ av livsmedel tillagas. Vi rekommenderar att du låter apparaten gå i 15 minuter efter att matlagningen avslutats, så att matoset helt sugs ut.

Kåpan ska underhållas regelbundet och på ett korrekt sätt för att fungera på bästa sätt. Detta gäller i synnerhet avfettningsfiltret och filtret med aktivt kol.

• Avfettningsfiltret har till uppgift att stoppa fettpartiklarna som finns i luften. Detta filter sätts igen efter en viss tid, beroende på hur mycket utrustningen används.

Akrylfiltret som ligger på gallret ska bytas ut när texten som syns genom gallret ändrar färg och blåcket flyter ut. Det nya filtret ska monteras så att texten syns genom gallret från kåpan utsida.

Om akrylfiltren saknar text eller om metall- eller aluminiumpanelfilter används, ska filtren rengöras max. varannan månad för att förhindra eventuell brand. Följ anvisningarna nedan:

- Ta bort filtret från gallret och tvätta det med en mild tvålösning och vatten. Låt smutset mjukas upp.

- Skölj med rikligt med ljummet vatten och låt torka.

Metall- och/eller aluminiumpanelfilter kan dessutom tvättas i diskmaskin. En viss färgförändring kan synas på aluminium- eller aluminiumpanelfilter efter några rengöringar. Detta är inget skäl till reklamation för eventuellt byte.

Vid försømmelse av anvisningarna för byte och rengöring av avfettningsfiltren finns det risk för att dessa antänds.

• Filtren med aktivt kol används för att rengöra luften som återförs i rummet. Dessa filter kan inte rengöras eller regenereras och måste bytas ut max. vart fjärde månad. Mättnaden av det aktiva kolet beror på hur länge utrustningen används, typen av kök och hur ofta som avfettningsfiltret rengörs.

• Rengör regelbundet alla avlagringar på fläkten och andra ytor med en trasa fuktad med denaturerad sprit eller mild flytande rengöringsmedel som inte slipar.

• Belysningen är avsedd att endast vara tänd under tillagningen och inte för att lysa upp rummet i allmänhet under en längre tid. Om belysningen är tänd under en längre tid förkortas lampornas livslängd betydligt.

MANÖVERFUNKTIONER: (Fig.21)

Tangent A = slår på/av belysningen

Tangent B = slår på/av kåpan. Apparaten startar med den lägsta hastigheten. Om kåpan fungerar skall tangenten tryckas in halv sekund för att slå av den. Om kåpan fungerar med den lägsta hastigheten behöver man inte hålla tangenten intryckt för att stänga av den. Minskar motorns hastighet.

Display C = anger den valda motorhastigheten och aktiveringen av timern.

Tangent D = slår på kåpan. Ökar motorns hastighet. Om

tangenten för den tredje hastigheten trycks in startar den intensiva hastigheten under 10 sekunder för att sedan återgå till den arbetshastighet som var aktiv före ingreppet. Displayen blinkar under denna funktion.

Tangent E = II Timer ställer in funktionstiderna vid aktiveringen på 15 minuter, varefter de stängs av. Avaktivera timern genom att trycka på knapp **E**. När funktionen Timer är aktiv på displayen ska decimalpunkten blinka. Om hastighetens intensivläge är i funktion kan timern inte aktiveras.

Genom att trycka på knapp **E** i 2 sekunder, när apparaten är avstängd, så aktiveras funktionen "**clean air**". Denna tändar motorn i 10 minuter varje timme på första hastigheten. Under funktion ska displayen visa de perifera segmentens rotation. När denna tid gått ut släcks motorn och displayen visar den lysande bokstaven "**C**" tills motorn efter ytterligare 50 minuter startar igen och går i 10 minuter igen och så vidare.

• **Orena fettfilter/aktivt kolfilter:**

- När displayen **C** blinkar och visar omväxlande driftshastigheten och bokstaven **F** (t.ex. 1 och **F**) ska **fettfiltren** rengöras.

- När displayen **C** blinkar och visar omväxlande driftshastigheten och bokstaven **A** (t.ex. 1 och **A**) ska **kolfiltren** bytas ut.

När det rena filtret har satts tillbaka, ska det elektroniska minnet nollställas genom att trycka ned knappen **A** i cirka **5 sek** tills signalerna **F** eller **A** slutar att blinka på displayen **C**.

• **MANÖVERFUNKTIONER:** Elektroniska (Fig.22A):

A = knapp för BELYSNING

B = knapp OFF/FÖRSTA HASTIGHET

C = knapp ANDRA HASTIGHET

D = knapp TREDJE HASTIGHET

E = knapp TIMER FÖR AUTOMATISK AVSTÄNGNING EFTER 15 minuter (*)

F = KONTROLLAMPA FÖR IGENGRODDA FILTER

När kontrollampen " igengrodda filter " blinkar skall fettfiltren tvättas. När kontrollampen lyser utan att blinka skall fettfiltren tvättas och kolfiltren bytas ut (vid funktion med recirkuleringsversion). När detta arbetsmoment slutförs skall reset-knappen tryckas in.

MANÖVERFUNKTIONER: (Fig.23) **LYSANDE** - (Fig.22B) **Elektroniska** beskrivs symbolerna här nedan:

A = knapp för BELYSNING

B = knapp OFF

C = knapp FÖRSTA HASTIGHET

D = knapp ANDRA HASTIGHET

E = knapp TREDJE HASTIGHET

F = TIMER FÖR AUTOMATISK AVSTÄNGNING EFTER 15 minuter. (*)

• Om er fläkt har funktionen hastighet i INTENSIVLÄGE, tryck på knapp **E** i ca 2 sekunder för aktivering i 10 minuter, varefter hastigheten går tillbaka till den tidigare inställningen.

När funktionen aktiveras blinkar lysdioden. För att avbryta den innan 10 minuter förflutit, trycker du på knapp **E** igen.

Tryck på knapp **F** i 2 sekunder (när fläkten är avstängd) för att sätta igång funktionen "**clean air**". Genom denna funktion sätts fläktmotorn igång i 10 minuter varje timme på hastighet ett.

Omedelbart efter att ha aktiverat denna funktion, sätts motorn igång på hastighet ett under 10 minuter, medan knapp **F** och knapp **C** samtidigt blinkar.

Därefter släcks motorn och lysdiod **F** förblir tänd med fast ljus ända tills motorn efter ytterligare 50 minuter startar igen på hastighet ett och lysdioderna **F** och **C** börjar blinka igen i 10 minuter osv. Genom att trycka på vilken som helst av knapparna, förutom belysningsknappen, återgår fläkten omedelbart till normal funktion (t.ex. om jag trycker på knapp **D** så sätts "**clean air**" ur funktion och motorn går genast på hastighet två; genom att trycka på knapp **B** sätts den ur funktion).

(*) Funktionen " timer för automatisk avstängning "fördröjer avstängningen av kåpan, som fortsätter att fungera i 15 minuter med samma arbetshastighet som vid påslagningen av denna funktion.

• **Orena fettfilter/aktivt kolfilter :**

- När knappen **A** blinkar med ett intervall på **2 sek** ska **fettfiltren** rengöras.

- När knappen **A** blinkar med ett intervall på **0,5 sek** ska **kolfiltren** bytas ut.

När det rena filtret har satts tillbaka, ska det elektroniska minnet nollställas genom att trycka på knapp **A** i cirka **5 sek** tills varningslampan slutar att blinka.

MANÖVERFUNKTIONER: Fig.24A) MEKANISKA

(Fig.24B) ELLIPS beskrivs symbolerna här nedan:

A = knapp för BELYSNING

B = knapp OFF

C = knapp FÖRSTA HASTIGHET

D = knapp ANDRA HASTIGHET

E = knapp TREDJE HASTIGHET

G = kontrollampa MOTORN I FUNKTION

TILLVERKAREN FRÅNSÄGER SIG ALLT ANSVAR FÖR EVENTUELLA SKADOR SOM ORSAKTS P.G.A. ATT OVANSTÄLENDE INSTRUKTIONER INTE RESPEKTERATS

ИНФОРМАЦИЯ ОТ ИЗГОТОВИТЕЛЯ

Изготовитель	KÖRTING®
Тип продукции	Кухонная вытяжка
Модель	KHA 7950 X Cube
Продавец (Экспортер)	«B.S. SERVICE S.r.l.»
Адрес Производителя (Фабрики)	TECNOWIND S.P.A., Италия, Via Piani di Marischio, 19 60044 Fabriano (AN)
Поставщик на территории РФ, уполномоченный на принятие претензий	ООО «Кёртинг РУС», 125252, г. Москва, ул. Гризодубовой, д. 4, к. 3, этаж 1, пом. 1, комн. 2.; Тел.: +7(495) 150-64-14 E-mail: info@korting.ru Официальный сайт: www.korting.ru
Импортер	ООО «Кёртинг РУС», 125252, г. Москва, ул. Гризодубовой, д. 4, к. 3, этаж 1, пом. 1, комн. 2.
Гарантийный срок	12 месяцев
Срок службы	10 лет
Серийный номер: Серийный номер указан на этикетке, расположенной на корпусе прибора.	Серийный номер состоит из: Год/Неделя/Номер, Где: Год – год производства изделия Неделя – номер недели года Номер – порядковый номер изделия в партии

Сервисная поддержка

Список авторизованных сервисных центров, осуществляющих гарантийный ремонт, указан на официальном сайте в разделе «Поддержка»: <https://korting.ru/support/>

По вопросам работы техники и качества работы авторизованных региональных сервисных центров обращайтесь на горячую линию клиентской поддержки по телефону:

Москва и Московская область: +7(495)150-64-14

Регионы России: 8(800)500-68-92

Гарантийный срок на продукцию Korting составляет 12 месяцев кроме специальной серии «1889» с гарантийным сроком 36 месяцев.

Гарантийное обслуживание является бесплатным (включая стоимость работ материалов и, при необходимости и с учетом действующего законодательства, доставки) на дому у потребителя или в мастерской на усмотрение сервисного центра, и распространяется только на изделия, использующиеся в личных, семейных, бытовых целях, не связанных с предпринимательской деятельностью.

Обслуживание действительно на территории РФ и распространяется на производственный или конструкционный дефект изделия.

Гарантийное обслуживание не распространяется на:

1. Комплектующие изделия (которые могут быть сняты с основного изделия без применения каких-либо инструментов, а именно: полки, ящики, корзины, насадки, решетки, трубки, шланги и другие подобные комплектующие);
2. Недостатки изделий, вызванные несоблюдением прилагаемой инструкции по эксплуатации, транспортными повреждениями, неправильной установкой, перепадами напряжения питания, небрежным обращением или плохим уходом, неправильным использованием (включая перегрузку);
3. Недостатки, вызванные независящими от продавца причинами, такими как: явления природы и стихийные бедствия, пожар, действия домашних или диких животных, а также насекомых, грызунов, попадание внутрь изделия посторонних предметов (в том числе жидкостей) и другими подобными причинами;
4. Недостатки, возникшие в результате внесения конструктивных изменений или ремонта изделия потребителем или неавторизованным сервисным центром;
5. Расходные материалы: лампы освещения, фильтры, элементы питания и прочие элементы по уходу за изделием, которые описаны в инструкции по эксплуатации;
6. Внешние и внутренние загрязнения, потертости, царапины, возникшие в процессе эксплуатации, установки, регулировки, чистке изделия, замене расходных материалов (ламп освещения, фильтров, элементов питания и др.) и прочему уходу за изделием, который описан в инструкции по эксплуатации.

Любые претензии по качеству товара изделия рассматриваются только после предварительной проверки качества изделия представителем авторизованного сервисного центра.

Компания Korting оставляет за собой право по своему усмотрению расширить свои обязательства перед потребителем по сравнению с требованиями закона и указанными в настоящем документе обязательствами.

Перед установкой и использованием изделия обязательно внимательно прочтите инструкцию по эксплуатации.

Для установки (подключения) техники мы рекомендуем обращаться в авторизованные сервисные центры. Вы можете воспользоваться услугами любых других квалифицированных специалистов или выполнить это самостоятельно, воспользовавшись рекомендациями инструкции по эксплуатации, однако изготовитель (продавец) не несет ответственности за возникшие дефекты в следствие неправильной установки.

Специалисты, осуществляющие подключение (установку), делают отметку в соответствующем разделе гарантийного талона.

СВЕДЕНИЯ ОБ УСТАНОВКЕ ПРИБОРА (заполняется только для приборов, подлежащих установке)	
Дата установки:	Мастер:
Организация установщик:	Работу принял. Подпись заказчика:

Фирма производитель оставляет за собой право без предварительного предупреждения вносить изменения в конструкцию, дизайн, комплектацию или технологию изготовления без смены основных характеристик изделия.

körting ТАЛОН НА ГАРАНТИЙНОЕ ОБСЛУЖИВАНИЕ (изымается мастером)	
Модель:	_____
Серийный номер:	_____
Дата приобретения:	_____
Вид дефекта:	_____
_____	_____
Проведенные работы:	_____
_____	_____
Ф.И.О. потребителя:	_____
_____	_____
Адрес:	_____
_____	_____
Телефон:	_____
Дата ремонта:	_____
Мастер:	_____
_____	_____
Место штампа	

(вырезать по пунктиру)

körting ТАЛОН НА ГАРАНТИЙНОЕ ОБСЛУЖИВАНИЕ (изымается мастером)	
Модель:	_____
Серийный номер:	_____
Дата приобретения:	_____
Вид дефекта:	_____
_____	_____
Проведенные работы:	_____
_____	_____
Ф.И.О. потребителя:	_____
_____	_____
Адрес:	_____
_____	_____
Телефон:	_____
Дата ремонта:	_____
Мастер:	_____
_____	_____
Место штампа	

körting

RUS

По всем вопросам сервисного и гарантийного обслуживания техники Körting обращайтесь в авторизованный сервисный центр Вашего города. Подробную информацию и адрес сервисных центров Вы можете найти на официальном сайте korting.ru

Сервисный отдел Körting:
Тел.: +7 (495) 150-64-14
Email: service@korting.ru

Информационная линия Körting:
Тел.: +7 (495) 150-64-14 (Москва и МО)
Тел.: 8 (800) 500-68-92 (Регионы России)
Email: info@korting.ru

